

# 2019 CIF Boys State Championship Wrestling Tournament



## Placers

106 Lbs.			152 Lbs.			170 Lbs.			182 Lbs.			195 Lbs.			220 Lbs.			285 Lbs.		
Rk	Placer		Rk	Placer		Rk	Placer		Rk	Placer		Rk	Placer		Rk	Placer		Rk	Placer	
1st	FIGUEROA, RICHARD (10) CS-1 #1	Selma (CS)	1st	SANTIAGO, SONNY (11) SS-2 #5	St. John Bosco (SS)	1st	OLGUIN, MATTHEW (12) CS-1 #1	Buchanan (CS)	1st	HAAS, NATHAN (11) SS-1 #2	St. John Bosco (SS)	1st	REYES, RYAN (12) CC-1 #1	Gilroy (CC)	1st	GOOD, JACOB (12) CS-1 #2	Clovis (CS)	1st	JEFFUS, MICHAEL (12) SJ-1 #2	Turlock (SJ)
2nd	GIOFFRE, JACK (9) CS-2 #2	Buchanan (CS)	2nd	BADGETT, TYLER (11) SD-2 #6	Rancho Bernardo (SD)	2nd	BLAKE, NOAH (12) SJ-1 #2	Del Oro (SJ)	2nd	SMITH, JONOVAN (12) LA-1 #4	Birmingham (LA)	2nd	MARTIN, JADON (11) CS-1 #3	Buchanan (CS)	2nd	RUIZ, MIKE (12) SS-3 #5	Villa Park (SS)	2nd	VILLARREAL, NICHOLAS (11) CC-1 #1	Gilroy (CC)
3rd	GONZALES, ANDRE (10) SD-1 #3	Poway (SD)	3rd	LUCHAU, JACE (12) CS-1 #1	Selma (CS)	3rd	WILNER, MAX (10) SS-1 #4	Fountain Valley (SS)	3rd	COSIO, RYAN (12) SS-2 #4	Temecula Valley (SS)	3rd	TRACY, TRENT (12) CS-1 #1	Frontier (CS)	3rd	ESCOBEDO, GUILLERMO (11) SS-1 #4	Bishop Amat (SS)	3rd	RAMOS, JUSTIN (12) SJ-2 #3	Vista del Lago (SJ)
4th	ABELL, BRAYDEN (10) SJ-3 #4	Oakdale (SJ)	4th	GANDARA, AARON (11) SD-1 #2	Poway (SD)	4th	AGUIRRE, MAX (12) CS-2 #3	Frontier (CS)	4th	LONG, DANIEL (12) CS-6 #5	Dinuba (CS)	4th	DARTER, JUSTIN (10) CS-2 #8	Bakersfield (CS)	4th	MORPHIS, RYAN (12) CS-3 #9	Frontier (CS)	4th	MARKEY, LEVI (12) SJ-5 #4	Del Campo (SJ)
5th	ROMNEY, ZETH (9) SS-3 #8	Chaminade (SS)	5th	STINSON, JT (11) NS-1 #3	East Nicolaus (NS)	5th	ZAVALA, NICHOLAS (11) CS-3 #9	Mission Oak (CS)	5th	RODRIGUEZ, CHRISTIAN (12) CS-1 #2	Selma (CS)	5th	CURTIS, JOE (11) SD-2 #8	La Costa Canyon (SD)	5th	CHRIK, JACOB (12) SS-2 #8	Bakersfield (SS)	5th	FELICIANO, COHLE (12) CC-2 #5	Fremont (CC)
6th	BARRETO, FERNANDO (9) SS-1 #6	Rowland (SS)	6th	VIZCARRA, DANIEL (12) CC-1 #8	Gilroy (CC)	6th	ROJAS, LOUIS (12) SS-2 #7	St. John Bosco (SS)	6th	CARDWELL, MARK (12) CS-2 #3	Monache (CS)	6th	LEWIS, MALIK (12) SJ-1 #5	Franklin-EG (SJ)	6th	MEDINA, JOSHUA (11) SS-3 #9	Servite (SS)	6th	VON GOEBEN, WILLIAM (12) SS-3 #14	Walnut (SS)
7th	GARCIA, DEVIN (12) NC-1 #5	James Logan (NC)	7th	DUCHARME, TYEE (12) SJ-1 #7	Vacaville (SJ)	7th	VILLARREAL, NATHAN (12) CC-1 #16	Gilroy (CC)	7th	PRIEST, JARAD (11) CS-4 #7	Bakersfield (CS)	7th	JOVERO, JAVEN (10) SD-1 #7	Rancho Bernardo (SD)	7th	JOHNSON, BRENDEN (11) SJ-3 #13	Del Oro (SJ)	7th	HILL, JOSIAH (11) CS-1 #7	Bakersfield (CS)
8th	FUNAKOSHI, YOSHIYA (9) SS-4	West Tarrance (SS)	8th	BUCK, VALOR (11) SS-3 #12	Servite (SS)	8th	KLOSTER, WILL (11) CS-4 #10	Lemoore (CS)	8th	MARTINEZ, GABRIEL (12) SJ-1 #8	Oakdale (SJ)	8th	CHAVEZ, ADRIAN (12) NC-1 #2	Liberty (NC)	8th	JOHNSON, BRENDEN (11) SJ-3 #13	Del Oro (SJ)	8th	SARTORIO, JACOB (12) NC-2	Clayton Valley (NC)
113 Lbs.			160 Lbs.			170 Lbs.			182 Lbs.			195 Lbs.			220 Lbs.			285 Lbs.		
1st	LUJAN, TRISTAN (11) CS-1 #1	Selma (CS)	1st	OLGUIN, MATTHEW (12) CS-1 #1	Buchanan (CS)	1st	MUNOZ, TREY (12) SS-1 #1	Trabuco Hills (SS)	1st	HAAS, NATHAN (11) SS-1 #2	St. John Bosco (SS)	1st	REYES, RYAN (12) CC-1 #1	Gilroy (CC)	1st	GOOD, JACOB (12) CS-1 #2	Clovis (CS)	1st	JEFFUS, MICHAEL (12) SJ-1 #2	Turlock (SJ)
2nd	NEGRETE JR, CARLOS (10) CS-2 #2	Buchanan (CS)	2nd	BLAKE, NOAH (12) SJ-1 #2	Del Oro (SJ)	2nd	CONTINO, ROCCO (10) CS-3 #6	Buchanan (CS)	2nd	SMITH, JONOVAN (12) LA-1 #4	Birmingham (LA)	2nd	MARTIN, JADON (11) CS-1 #3	Buchanan (CS)	2nd	RUIZ, MIKE (12) SS-3 #5	Villa Park (SS)	2nd	VILLARREAL, NICHOLAS (11) CC-1 #1	Gilroy (CC)
3rd	TUBERA, IZZY (11) SJ-1 #3	Pitman (SJ)	3rd	WILNER, MAX (10) SS-1 #4	Fountain Valley (SS)	3rd	COSIO, RYAN (12) SS-2 #4	Temecula Valley (SS)	3rd	COSIO, RYAN (12) SS-2 #4	Temecula Valley (SS)	3rd	TRACY, TRENT (12) CS-1 #1	Frontier (CS)	3rd	ESCOBEDO, GUILLERMO (11) SS-1 #4	Bishop Amat (SS)	3rd	RAMOS, JUSTIN (12) SJ-2 #3	Vista del Lago (SJ)
4th	MOURITSEN, JUSTIN (11) CS-3 #7	Clovis (CS)	4th	AGUIRRE, MAX (12) CS-2 #3	Frontier (CS)	4th	LONG, DANIEL (12) CS-6 #5	Dinuba (CS)	4th	LONG, DANIEL (12) CS-6 #5	Dinuba (CS)	4th	DARTER, JUSTIN (10) CS-2 #8	Bakersfield (CS)	4th	MORPHIS, RYAN (12) CS-3 #9	Frontier (CS)	4th	MARKEY, LEVI (12) SJ-5 #4	Del Campo (SJ)
5th	FREDRICKSON, BLAKE (12) NC-1 #8	Windsor (NC)	5th	ZAVALA, NICHOLAS (11) CS-3 #9	Mission Oak (CS)	5th	RODRIGUEZ, CHRISTIAN (12) CS-1 #2	Selma (CS)	5th	RODRIGUEZ, CHRISTIAN (12) CS-1 #2	Selma (CS)	5th	CURTIS, JOE (11) SD-2 #8	La Costa Canyon (SD)	5th	CHRIK, JACOB (12) SS-2 #8	Bakersfield (SS)	5th	FELICIANO, COHLE (12) CC-2 #5	Fremont (CC)
6th	CABUAG, CHRISTIAN (10) CC-1 #5	Monte Vista Christian (CC)	6th	ROJAS, LOUIS (12) SS-2 #7	St. John Bosco (SS)	6th	CARDWELL, MARK (12) CS-2 #3	Monache (CS)	6th	CARDWELL, MARK (12) CS-2 #3	Monache (CS)	6th	LEWIS, MALIK (12) SJ-1 #5	Franklin-EG (SJ)	6th	MEDINA, JOSHUA (11) SS-3 #9	Servite (SS)	6th	VON GOEBEN, WILLIAM (12) SS-3 #14	Walnut (SS)
7th	BIGLER, MICHAEL (11) CC-3	Archbishop Riordan (CC)	7th	VILLARREAL, NATHAN (12) CC-1 #16	Gilroy (CC)	7th	PRIEST, JARAD (11) CS-4 #7	Bakersfield (CS)	7th	PRIEST, JARAD (11) CS-4 #7	Bakersfield (CS)	7th	JOVERO, JAVEN (10) SD-1 #7	Rancho Bernardo (SD)	7th	JOHNSON, BRENDEN (11) SJ-3 #13	Del Oro (SJ)	7th	HILL, JOSIAH (11) CS-1 #7	Bakersfield (CS)
8th	AHOLELEI, KAVIKA (12) SS-3 #13	Yorba Linda (SS)	8th	KLOSTER, WILL (11) CS-4 #10	Lemoore (CS)	8th	MARTINEZ, GABRIEL (12) SJ-1 #8	Oakdale (SJ)	8th	MARTINEZ, GABRIEL (12) SJ-1 #8	Oakdale (SJ)	8th	CHAVEZ, ADRIAN (12) NC-1 #2	Liberty (NC)	8th	JOHNSON, BRENDEN (11) SJ-3 #13	Del Oro (SJ)	8th	SARTORIO, JACOB (12) NC-2	Clayton Valley (NC)
120 Lbs.			170 Lbs.			182 Lbs.			195 Lbs.			220 Lbs.			285 Lbs.					
1st	RENERIA, MAXIMO (10) CS-1 #1	Buchanan (CS)	1st	MUNOZ, TREY (12) SS-1 #1	Trabuco Hills (SS)	1st	HAAS, NATHAN (11) SS-1 #2	St. John Bosco (SS)	1st	REYES, RYAN (12) CC-1 #1	Gilroy (CC)	1st	GOOD, JACOB (12) CS-1 #2	Clovis (CS)	1st	JEFFUS, MICHAEL (12) SJ-1 #2	Turlock (SJ)	1st	JEFFUS, MICHAEL (12) SJ-1 #2	Turlock (SJ)
2nd	PAULSON, BRANDON (12) CS-3 #3	Clovis (CS)	2nd	CONTINO, ROCCO (10) CS-3 #6	Buchanan (CS)	2nd	SMITH, JONOVAN (12) LA-1 #4	Birmingham (LA)	2nd	MARTIN, JADON (11) CS-1 #3	Buchanan (CS)	2nd	RUIZ, MIKE (12) SS-3 #5	Villa Park (SS)	2nd	VILLARREAL, NICHOLAS (11) CC-1 #1	Gilroy (CC)	2nd	VILLARREAL, NICHOLAS (11) CC-1 #1	Gilroy (CC)
3rd	CRUZ, JOEY (9) CS-4 #4	Clovis North (CS)	3rd	COSIO, RYAN (12) SS-2 #4	Temecula Valley (SS)	3rd	COSIO, RYAN (12) SS-2 #4	Temecula Valley (SS)	3rd	COSIO, RYAN (12) SS-2 #4	Temecula Valley (SS)	3rd	ESCOBEDO, GUILLERMO (11) SS-1 #4	Bishop Amat (SS)	3rd	RAMOS, JUSTIN (12) SJ-2 #3	Vista del Lago (SJ)	3rd	RAMOS, JUSTIN (12) SJ-2 #3	Vista del Lago (SJ)
4th	LORENZO, ANTONIO (12) SS-1 #5	St. John Bosco (SS)	4th	AGUIRRE, MAX (12) CS-2 #3	Frontier (CS)	4th	LONG, DANIEL (12) CS-6 #5	Dinuba (CS)	4th	LONG, DANIEL (12) CS-6 #5	Dinuba (CS)	4th	DARTER, JUSTIN (10) CS-2 #8	Bakersfield (CS)	4th	MORPHIS, RYAN (12) CS-3 #9	Frontier (CS)	4th	MARKEY, LEVI (12) SJ-5 #4	Del Campo (SJ)
5th	CASTRO-SANDOVAL, RICHARD (11) SS-2 #1	Santa Ynez (SS)	5th	ZAVALA, NICHOLAS (11) CS-3 #9	Mission Oak (CS)	5th	RODRIGUEZ, CHRISTIAN (12) CS-1 #2	Selma (CS)	5th	RODRIGUEZ, CHRISTIAN (12) CS-1 #2	Selma (CS)	5th	CURTIS, JOE (11) SD-2 #8	La Costa Canyon (SD)	5th	CHRIK, JACOB (12) SS-2 #8	Bakersfield (SS)	5th	FELICIANO, COHLE (12) CC-2 #5	Fremont (CC)
6th	RIVERA, JACOB (11) CS-2 #2	Selma (CS)	6th	ROJAS, LOUIS (12) SS-2 #7	St. John Bosco (SS)	6th	CARDWELL, MARK (12) CS-2 #3	Monache (CS)	6th	CARDWELL, MARK (12) CS-2 #3	Monache (CS)	6th	LEWIS, MALIK (12) SJ-1 #5	Franklin-EG (SJ)	6th	MEDINA, JOSHUA (11) SS-3 #9	Servite (SS)	6th	VON GOEBEN, WILLIAM (12) SS-3 #14	Walnut (SS)
7th	GOULD, ETHAN (11) SS-4 #9	Esperanza (SS)	7th	VILLARREAL, NATHAN (12) CC-1 #16	Gilroy (CC)	7th	PRIEST, JARAD (11) CS-4 #7	Bakersfield (CS)	7th	PRIEST, JARAD (11) CS-4 #7	Bakersfield (CS)	7th	JOVERO, JAVEN (10) SD-1 #7	Rancho Bernardo (SD)	7th	JOHNSON, BRENDEN (11) SJ-3 #13	Del Oro (SJ)	7th	HILL, JOSIAH (11) CS-1 #7	Bakersfield (CS)
8th	SAURIOL, CARSON (12) SD-1 #6	Poway (SD)	8th	KLOSTER, WILL (11) CS-4 #10	Lemoore (CS)	8th	MARTINEZ, GABRIEL (12) SJ-1 #8	Oakdale (SJ)	8th	MARTINEZ, GABRIEL (12) SJ-1 #8	Oakdale (SJ)	8th	CHAVEZ, ADRIAN (12) NC-1 #2	Liberty (NC)	8th	JOHNSON, BRENDEN (11) SJ-3 #13	Del Oro (SJ)	8th	SARTORIO, JACOB (12) NC-2	Clayton Valley (NC)
126 Lbs.			170 Lbs.			182 Lbs.			195 Lbs.			220 Lbs.			285 Lbs.					
1st	NAGAO, AARON (11) SS-1 #1	Esperanza (SS)	1st	MUNOZ, TREY (12) SS-1 #1	Trabuco Hills (SS)	1st	HAAS, NATHAN (11) SS-1 #2	St. John Bosco (SS)	1st	REYES, RYAN (12) CC-1 #1	Gilroy (CC)	1st	GOOD, JACOB (12) CS-1 #2	Clovis (CS)	1st	JEFFUS, MICHAEL (12) SJ-1 #2	Turlock (SJ)	1st	JEFFUS, MICHAEL (12) SJ-1 #2	Turlock (SJ)
2nd	NUNEZ, CHRISTIAN (12) SS-2 #4	Bishop Amat (SS)	2nd	CONTINO, ROCCO (10) CS-3 #6	Buchanan (CS)	2nd	SMITH, JONOVAN (12) LA-1 #4	Birmingham (LA)	2nd	MARTIN, JADON (11) CS-1 #3	Buchanan (CS)	2nd	RUIZ, MIKE (12) SS-3 #5	Villa Park (SS)	2nd	VILLARREAL, NICHOLAS (11) CC-1 #1	Gilroy (CC)	2nd	VILLARREAL, NICHOLAS (11) CC-1 #1	Gilroy (CC)
3rd	MIRANDA, JASON (11) SD-1 #3	Poway (SD)	3rd	COSIO, RYAN (12) SS-2 #4	Temecula Valley (SS)	3rd	COSIO, RYAN (12) SS-2 #4	Temecula Valley (SS)	3rd	COSIO, RYAN (12) SS-2 #4	Temecula Valley (SS)	3rd	ESCOBEDO, GUILLERMO (11) SS-1 #4	Bishop Amat (SS)	3rd	RAMOS, JUSTIN (12) SJ-2 #3	Vista del Lago (SJ)	3rd	RAMOS, JUSTIN (12) SJ-2 #3	Vista del Lago (SJ)
4th	JACINTO, VICTOR (10) CC-1 #7	Gilroy (CC)	4th	AGUIRRE, MAX (12) CS-2 #3	Frontier (CS)	4th	LONG, DANIEL (12) CS-6 #5	Dinuba (CS)	4th	LONG, DANIEL (12) CS-6 #5	Dinuba (CS)	4th	DARTER, JUSTIN (10) CS-2 #8	Bakersfield (CS)	4th	MORPHIS, RYAN (12) CS-3 #9	Frontier (CS)	4th	MARKEY, LEVI (12) SJ-5 #4	Del Campo (SJ)
5th	JOINT, WAYNE (10) CS-1 #5	Lemoore (CS)	5th	ZAVALA, NICHOLAS (11) CS-3 #9	Mission Oak (CS)	5th	RODRIGUEZ, CHRISTIAN (12) CS-1 #2	Selma (CS)	5th	RODRIGUEZ, CHRISTIAN (12) CS-1 #2	Selma (CS)	5th	CURTIS, JOE (11) SD-2 #8	La Costa Canyon (SD)	5th	CHRIK, JACOB (12) SS-2 #8	Bakersfield (SS)	5th	FELICIANO, COHLE (12) CC-2 #5	Fremont (CC)
6th	SPANGLER, RYAN (11) SS-3 #11	Sultana (SS)	6th	ROJAS, LOUIS (12) SS-2 #7	St. John Bosco (SS)	6th	CARDWELL, MARK (12) CS-2 #3	Monache (CS)	6th	CARDWELL, MARK (12) CS-2 #3	Monache (CS)	6th	LEWIS, MALIK (12) SJ-1 #5	Franklin-EG (SJ)	6th	MEDINA, JOSHUA (11) SS-3 #9	Servite (SS)	6th	VON GOEBEN, WILLIAM (12) SS-3 #14	Walnut (SS)
7th	REYES, COLE (12) CS-6 #6	Frontier (CS)	7th	VILLARREAL, NATHAN (12) CC-1 #16	Gilroy (CC)	7th	PRIEST, JARAD (11) CS-4 #7	Bakersfield (CS)	7th	PRIEST, JARAD (11) CS-4 #7	Bakersfield (CS)	7th	JOVERO, JAVEN (10) SD-1 #7	Rancho Bernardo (SD)	7th	JOHNSON, BRENDEN (11) SJ-3 #13	Del Oro (SJ)	7th	HILL, JOSIAH (11) CS-1 #7	Bakersfield (CS)
8th	MENDOZA, KOREY (11) SS-9	Yucaipa (SS)	8th	KLOSTER, WILL (11) CS-4 #10	Lemoore (CS)	8th	MARTINEZ, GABRIEL (12) SJ-1 #8	Oakdale (SJ)	8th	MARTINEZ, GABRIEL (12) SJ-1 #8	Oakdale (SJ)	8th	CHAVEZ, ADRIAN (12) NC-1 #2	Liberty (NC)	8th	JOHNSON, BRENDEN (11) SJ-3 #13	Del Oro (SJ)	8th	SARTORIO, JACOB (12) NC-2	Clayton Valley (NC)
132 Lbs.			170 Lbs.			182 Lbs.			195 Lbs.			220 Lbs.			285 Lbs.					
1st	PARCO, KYLE (12) NC-1 #1	De La Salle (NC)	1st	MUNOZ, TREY (12) SS-1 #1	Trabuco Hills (SS)	1st	HAAS, NATHAN (11) SS-1 #2	St. John Bosco (SS)	1st	REYES, RYAN (12) CC-1 #1	Gilroy (CC)	1st	GOOD, JACOB (12) CS-1 #2	Clovis (CS)	1st	JEFFUS, MICHAEL (12) SJ-1 #2	Turlock (SJ)	1st	JEFFUS, MICHAEL (12) SJ-1 #2	Turlock (SJ)
2nd	FRANCO, RYAN (10) CS-1 #2	Clovis North (CS)	2nd	CONTINO, ROCCO (10) CS-3 #6	Buchanan (CS)	2nd	SMITH, JONOVAN (12) LA-1 #4	Birmingham (LA)	2nd	MARTIN, JADON (11) CS-1 #3	Buchanan (CS)	2nd	RUIZ, MIKE (12) SS-3 #5	Villa Park (SS)	2nd	VILLARREAL, NICHOLAS (11) CC-1 #1	Gilroy (CC)	2nd	VILLARREAL, NICHOLAS (11) CC-1 #1	Gilroy (CC)
3rd	PORTER, HENRY (10) SJ-1 #4	Oakdale (SJ)	3rd	COSIO, RYAN (12) SS-2 #4	Temecula Valley (SS)	3rd	COSIO, RYAN (12) SS-2 #4	Temecula Valley (SS)	3rd	COSIO, RYAN (12) SS-2 #4	Temecula Valley (SS)	3rd	ESCOBEDO, GUILLERMO (11) SS-1 #4	Bishop Amat (SS)	3rd	RAMOS, JUSTIN (12) SJ-2 #3	Vista del Lago (SJ)	3rd	RAMOS, JUSTIN (12) SJ-2 #3	Vista del Lago (SJ)
4th	PETRUCCELLI, GIANO (10) CS-2 #8	Clovis (CS)	4th	AGUIRRE, MAX (12) CS-2 #3	Frontier (CS)	4th	LONG, DANIEL (12) CS-6 #5	Dinuba (CS)	4th	LONG, DANIEL (12) CS-6 #5	Dinuba (CS)	4th	DARTER, JUSTIN (10) CS-2 #8	Bakersfield (CS)	4th	MORPHIS, RYAN (12) CS-3 #9	Frontier (CS)	4th	MARKEY, LEVI (12) SJ-5 #4	Del Campo (SJ)
5th	FERNANDEZ III, JOSE (12) NC-2 #5	Upper Lake (NC)	5th	ZAVALA, NICHOLAS (11) CS-3 #9	Mission Oak (CS)	5th	RODRIGUEZ, CHRISTIAN (12) CS-1 #2	Selma (CS)	5th	RODRIGUEZ, CHRISTIAN (12) CS-1 #2	Selma (CS)	5th	CURTIS, JOE (11) SD-2 #8	La Costa Canyon (SD)	5th	CHRIK, JACOB (12) SS-2 #8	Bakersfield (SS)	5th	FELICIANO, COHLE (12) CC-2 #5	Fremont (CC)
6th	POLANCO, MARCOS (12) SS-1 #3	Bishop Amat (SS)	6th	ROJAS, LOUIS (12) SS-2 #7	St. John Bosco (SS)	6th	CARDWELL, MARK (12) CS-2 #3	Monache (CS)	6th	CARDWELL, MARK (12) CS-2 #3	Monache (CS)	6th	LEWIS, MALIK (12) SJ-1 #5	Franklin-EG (SJ)	6th	MEDINA, JOSHUA (11) SS-3 #9	Servite (SS)	6th	VON GOEBEN, WILLIAM (12) SS-3 #14	Walnut (SS)
7th	MEDINA, JOSHUA (11) SS-3 #9	Servite (SS)	7th	VILLARREAL, NATHAN (12) CC-1 #16	Gilroy (CC)	7th	PRIEST, JARAD (11) CS-4 #7	Bakersfield (CS)	7th	PRIEST, JARAD (11) CS-4 #7	Bakersfield (CS)	7th	JOVERO, JAVEN (10) SD-1 #7	Rancho Bernardo (SD)	7th	JOHNSON, BRENDEN (11) SJ-3 #13	Del Oro (SJ)	7th	HILL, JOSIAH (11) CS-1 #7	Bakersfield (CS)
8th	JOHNSON, BRENDEN (11) SJ-3 #13	Del Oro (SJ)	8th	KLOSTER, WILL (11) CS-4 #10	Lemoore (CS)	8th	MARTINEZ, GABRIEL (12) SJ-1 #8	Oakdale (SJ)	8th	MARTINEZ, GABRIEL (12) SJ-1 #8	Oakdale (SJ)	8th	CHAVEZ, ADRIAN (12) NC-1 #2	Liberty (NC)	8th	JOHNSON, BRENDEN (11) SJ-3 #13	Del Oro (SJ)	8th	SARTORIO, JACOB (12) NC-2	Clayton Valley (NC)
138 Lbs.			170 Lbs.			182 Lbs.			195 Lbs.			220 Lbs.			285 Lbs.					
1st	VASQUEZ, JESSE (11) SS-1 #1	Excelsior Charter (SS)	1st	MUNOZ, TREY (12) SS-1 #1	Trabuco Hills (SS)	1st														

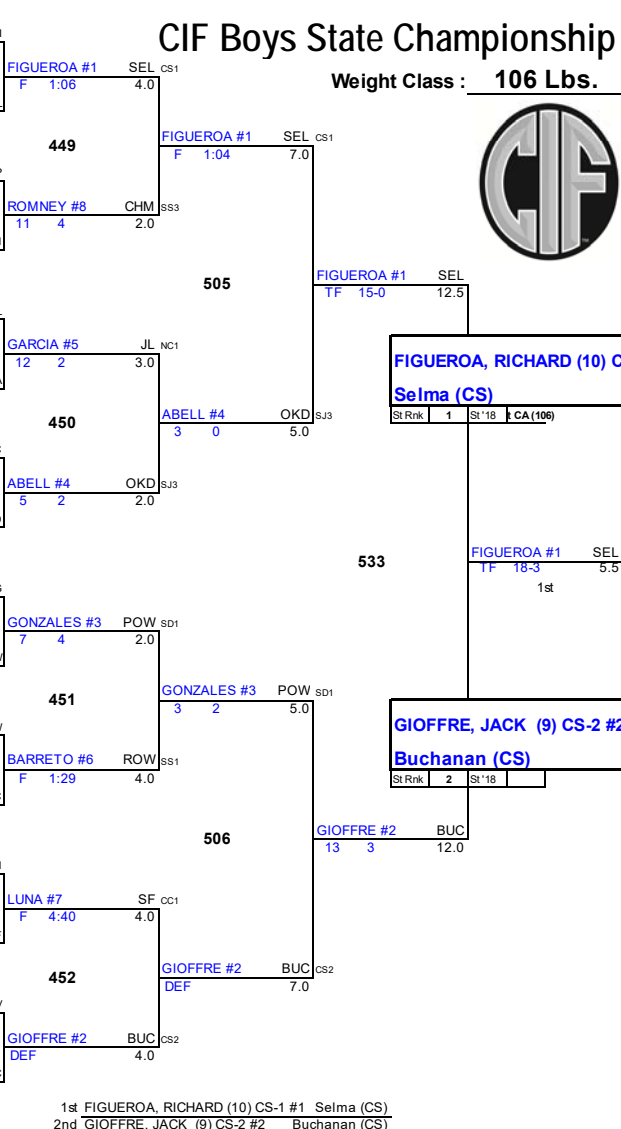
# CIF Boys State Championship

Weight Class : 106 Lbs.



MAPLES, DYLAN (10) SJ-2 #16	MAPLES #16	BVI	4.0
Bella Vista (SJ) 113	8 2		
ACALA, JOSH (11) CS-T			
Frontier (CS) 337			
QUINTANA, JAKE (9) SS-9			
Valencia/Valencia 114	FIGUEROA #1	SEL	4.0
FIGUEROA #1	TF 17-1		3.5
Rancho Bernardo (SD) 1			
FIGUEROA, RICHARD (10) CS-1 #1	TF 16-1		3.5
Selma (CS)			
CALDERON, CHRIS (10) SS-2 #9	CALDERON #9	ESP	6.0
Esperanza (SS) 115	F 4:57		
GUNN, LORENZO (11) NC-3			
Benicia (NC) 338			
SORIANO, JORGE (9) LA-1			
San Fernando (LA) 116	ROMNEY #8	CHM	4.0
Clovis (CS) 2			
ROMNEY, ZETH (9) SS-3 #8	F 1:22		4.0
Chaminade (SS)	6 1		2.0
GARCIA, DEVIN (12) NC-1 #5	GARCIA #5	JL	5.0
James Logan (NC) 117	14 0		
ORTIZ, TIGER (10) SS-6			
Yorba Linda (SS) 339			
GALBISO, NAYTHAN (10) SD-3			
Imperial (SD) 118	CALVERT #12	FRA	4.0
Clovis North (CS) 3			
CALVERT, ANDREW (12) SJ-1 #12	F 5:45		4.0
Franklin-EG (SJ)			
MEDINA, ISAAH KAINOA (9) SJ-4 #13	MEDINA #13	VAC	6.0
Vacaville (SJ) 119	F 2:21		
DOLLINS, BRODY (10) NS-1			
Sutter (NS) 340			
ALCANTAR, FRANCISCO (10) CS			
Nipomo (CS) 120	ABELL #4	OKD	4.0
SOLIS, SEAN (9) SS-7			
Fountain Valley (SS) 4			
ABELL, BRAYDEN (10) SJ-3 #4	1 0		2.0
Oakdale (SJ)			
MENDEZ, DOMINIC (9) CS-3 #14	MENDEZ #14	RIG	4.0
Righetti (CS) 121	6 4		
FUNAKOSHI, YOSHIYA (9) SS-4			
West Torrance (SS) 341			
ZACARIAS, ALEXIS (12) CC-3			
Aptos (CC) 122	GONZALES #3	POW	4.0
Golden West (CS) 5			
GONZALES, ANDRE (10) SD-1 #3	F .42		4.0
Poway (SD)			
BARRETO, FERNANDO (9) SS-1 #6	BARRETO #6	ROW	6.0
Rowland (SS) 123	DEF		
BRILZ, KEATON (9) NS-2			
Foothill (NS) 342			
GROSS, ZACHARY (11) SF-1			
Wallenberg (SF) 124	HERNANDEZ	CRC	2.0
HERNANDEZ, JONAH (12) CS-6			
Corcoran (CS) 6			
ALVAREZ, OMAR (12) SS-8 #11	10 6		2.0
Victor Valley (SS)			
ARROYO, JOAQUIN (9) SS-5 #10	ARROYO #10	CCH	5.0
Calvary Chapel (SS) 125	13 0		
FARUKH, SALAHADIN (10) SJ-6			
Valley (SJ) 343			
EUGENIO, TRISTON (11) LA-2			
Granada Hills (LA) 126	LUNA #7	SF	4.0
Hoover (CS) 7			
LUNA, RYAN (9) CC-1 #7	F 4:57		4.0
Saint Francis (CC)			
ANTONIO, CALVIN (10) CC-2 #15	ANTONIO #15	EV	5.0
Evergreen Valley (C) 127	12 2		
MALLOT, MICHAEL (11) SJ-5			
Union Mine (SJ) 344			
CUEVAS, BOBBY (9) NC-2			
De La Salle (NC) 128	GIOFFRE #2	BUC	4.0
Brawley (SD) 8			
GIOFFRE, JACK (9) CS-2 #2	F 4:45		4.0
Buchanan (CS)			

106 Lbs.



- 1st FIGUEROA, RICHARD (10) CS-1 #1 Selma (CS)
- 2nd GIOFFRE, JACK (9) CS-2 #2 Buchanan (CS)
- 3rd GONZALES, ANDRE (10) SD-1 #3 Poway (SD)
- 4th ABELL, BRAYDEN (10) SJ-3 #4 Oakdale (SJ)
- 5th ROMNEY, ZETH (9) SS-3 #8 Chaminade (SS)
- 6th BARRETO, FERNANDO (9) SS-1 #6 Rowland (SS)
- 7th GARCIA, DEVIN (12) NC-1 #5 James Logan (NC)
- 8th FUNAKOSHI, YOSHIYA (9) SS-4 West Torrance (SS)

BEATO	RBE	FUNAKOSHI	WT	FUNAKOSHI	WT	FUNAKOSHI	WT
		F 4:37	3.0	F 2:29	3.0	FUNAKOSH	WT
FUNAKOSHI	601	ZACARIAS	APT				
TERRENCE	CLO	713	MEDINA #13	VAC	5 3 1.0		
		TERRENCE	CLO	825	937	FUNAKOSH	WT
BRILZ	FH-NS	DEF	3.0	TERRENCE	CLO	8 0 2.0	
		GROSS	WLN	F 2:20	3.0	FUNAKOSH	WT
ARSITIO	602			TERRENCE	CLO	2 0 1.0	
		ARSITIO	CN	826		LUNA #7	SF
FARUKH	603	5 2 1.0	ARSITIO	CN	F 2:24	3.0	
		EUGENIO	GH			CALDERON	ESP
SOLIS	604	7 0 1.0	SOLIS	FV	11 3 2.0		
		MALLOT	DLS	12 0 2.0	938	SOLIS	FV
MARTINEZ	605	716	MAPLES #11	BVI	16 4 2.0	994	BARRETO # ROW
		ACALA	FRO	828		BARRETO # ROW	SS1
ACALA	606	F 4:07	3.0	QUINTANA	VAV	9 2 1.0	
		QUINTANA	VAV			QUINTANA	VAV
ALVAREZ #1	607	717	ANTONIO #1	EV	DEF	3.0	
		ALVAREZ #1	VV	829		QUINTANA	VAV
GUNN	608	F 1:53	3.0	ALVAREZ #1	VV	3 2 1.0	
		SORIANO	SFR	8 3 1.0	ARROYO #	CCH	
CERDA	609	718	ARROYO #1	CCH	12 11 1.0	995	GARCIA #5
		ORTIZ	YL	830		GARCIA #5	JL
ORTIZ	610	F 3:29	3.0	ORTIZ	YL	7 2 2.0	
		GALBISO	IMF	F 2:32	3.0	ORTIZ	YL
MORENO	611	719	HERNANDEZ	CRC	4 0 1.0	996	ROMNEY #
		MORENO	BRW	831	940	ROMNEY #	CHM
DOLLINS	612	7 1 1.0	MORENO	BRW	9 2 1.0	ROMNEY #	CHM
		ALCANTAR	NIP	DEF	3.0	ROMNEY #	CHM
		720	MENDEZ #1	RIG	DEF	4 3 2.0	
			MENDEZ #1	RIG	DEF	3.0	



FUNAKOSH	WT	7th	BARRETO # ROW	5th
1107	GARCIA #5	JL	1106	ROMNEY # CHM
GARCIA #5	JL	9 6 1.0	ROMNEY #	CHM
			DEF	4.0

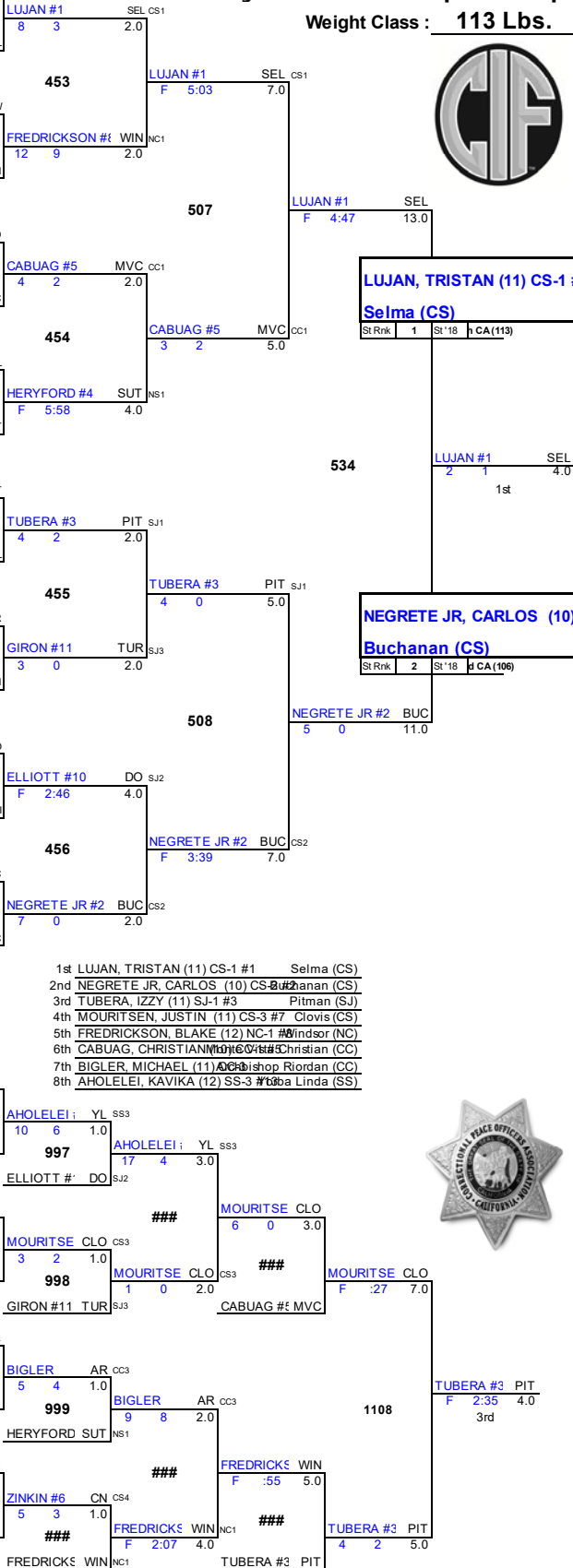
# CIF Boys State Championship

Weight Class : **113 Lbs.**



SILVA, ANDREW (12) SS-2 #16	SILVA #16	SRV	8	4	4.0
Servite (SS)	129				
TAYLOR, EVAN (12) SJ-4	Folsom (SJ)				
345					
BIGLER, MICHAEL (11) CC-3	Archbishop Riordan (CC)				
130					
ROMAN, ROQUE (12) LA-2	LUJAN #1	SEL	8	3	2.0
Birmingham (LA)	9				
LUJAN, TRISTAN (11) CS-1 #1	F 1:45	4.0			
Selma (CS)					
BOBZIEN, BROCK (9) SD-1 #9	Poway (SD)				
131					
REYES, VINNY (11) SS-7	Redondo Union (SS)				
346					
JIMENEZ, OUT (9) CS-T	Redwood (CS)				
132					
CASTRO, JAVIER (11) CS-8	FREDRICKSON #8	WIN	12	9	2.0
Dinuba (CS)	10				
FREDRICKSON, BLAKE (12) NC-1 #8	F 1:57	4.0			
Windsor (NC)					
AHMED, IBRAHIM (9) SS-1 #12	Palm Desert (SS)				
133					
TORRES, MICHAEL (9) SJ-5	Oakdale (SJ)				
347					
CONCEPCION, GAVIN (11) SD-3	Rancho Bernardo (SD)				
134					
MADRIGAL, GIOVANI (12) CS-7	CABUAG #5	MVC	4	2	2.0
Madera (CS)	11				
CABUAG, CHRISTIAN (10) CC-1 #5	F .49	4.0			
Monte Vista Christian (CC)					
AHOLELEI, KAVIKA (12) SS-3 #13	Yorba Linda (SS)				
135					
GARCIA, ROMAN (12) CS-6	El Diamante (CS)				
348					
OWENS, BLADE (12) SS-9	Apple Valley (SS)				
136					
SPINEL, NOAH (10) SF-1	HERYFORD #4	SUT	6	2	2.0
Washington (SF)	12				
HERYFORD, JIMMY (12) NS-1 #4	F .41	4.0			
Sutter (NS)					
TUBERA, IZZY (11) SJ-1 #3	Pitman (SJ)				
137					
CHAVEZ, MARTIN (12) CS-5	Orange Cove (CS)				
349					
ONSUREZ, ASHTON (10) CS-9	Bakersfield (CS)				
138					
ALLRED, JUSTIN (12) SS-4	MCNEAL #14	JL	6	2	2.0
La Habra (SS)	13				
MCNEAL, ROMEO (12) NC-2 #14	GIRON, WILLIAM (11) SJ-3 #11				
James Logan (NC)	139				
Turlock (SJ)					
10					
THOMPSON, ZAK (10) CC-2	Palma (CC)				
350					
PARKER, ZACH (9) SS-5	Fountain Valley (SS)				
140					
LOERA, CRISTIAN (10) LA-1	ZINKIN #6	CN	14	7	2.0
San Fernando (LA)	14				
ZINKIN, HAYDEN (9) CS-4 #6	ELLIOTT, DAMION (9) SJ-2 #10				
Clovis North (CS)	141				
Del Oro (SJ)					
19					
MALDONADO, TONY (11) SD-4	Brawley (SD)				
351					
RUIZ, KOA (9) SS-8	San Marino (SS)				
142					
STROLE, AJ (12) SS-2	MOURITSEN #7	CLO	4	2	4.0
Red Bluff (NS)	15				
MOURITSEN, JUSTIN (11) CS-3 #7	F 1:37	4.0			
Clovis (CS)					
BAILEY, CARTER (10) NC-3 #15	Granada (NC)				
143					
YUKE, TONY (10) SJ-6	McClatchy (SJ)				
352					
VAUGHAN, ERIC (12) SS-6	Oak Hills (SS)				
144					
DEMERS, NICO (11) SD-2	NEGRETE JR #2	BUC	7	0	2.0
Mater Dei (SD)	16				
NEGRETE JR, CARLOS (10) CS-2 #2	F .53	4.0			
Buchanan (CS)					

**113 Lbs.**



ROMAN	BIR	CHAVEZ	OC	CHAVEZ	OC	AHOLELEI ; YL
609		TF 16-0	2.5	F 2:57	3.0	AHOLELEI ; YL
CASTRO	DIN	721		AHOLELEI #	YL	4 0 1.0
THOMPSON	PAL	833		THOMPSON PAL		10 6 1.0
610		5 1 1.0		FV 13 5 2.0		THOMPSON PAL
MADRIGAL	MAD	722		AHMED #12	PD	F 1:49 3.0
MALDONADO	BRW	723		MOURITSEN CLO		F :39 3.0
611		8 6 1.0		MOURITSE CLO		5 2 1.0
SPINEL	WA-SF	723		BAILEY #15 GRA		835
612		F 1:15	3.0	BAILEY #15 GRA		942
ALLRED	LH	724		VAUGHAN OH		F 2:26 3.0
TAYLOR	FOL	836		SILVA #16 SRV		2 1 1.0
613		5 4 1.0		GIRON #11 TUR	SJ3	
LOERA	SFR	725		YUKE MCC		TF 20-5 2.5
REYES	RU	837		BIGLER AR		5 4 1.0
614		2 0 1.0		LOERA SFR		943
STROLE	RB	726		JIMENEZ RED		DEF 3.0
TORRES	OKD	838		RUIZ SMI		F 2:24 3.0
615		11 6 1.0		HERYFORD SUT	NS1	
DEMERS	MD	727		CONCEPCION RBE		5 2 1.0
GARCIA	ELD	839		ZINKIN #6 CN		F 3:42 3.0
616		12 1 2.0		ZINKIN #6 CN	CS4	5 3 1.0
OWENS	APV	944		OWENS APV		4 0 1.0
728		MCNEAL #1 JL		MCNEAL #1 JL		3 0 1.0
840				FREDRICKS WIN	NC1	F 2:07 4.0

AHOLELEI ; YL 7th CABUAG #5 MVC 5th  
 1110 BIGLER AR 1109 FREDRICKS WIN  
 BIGLER AR DEF 3.0 FREDRICKS WIN F .43 4.0

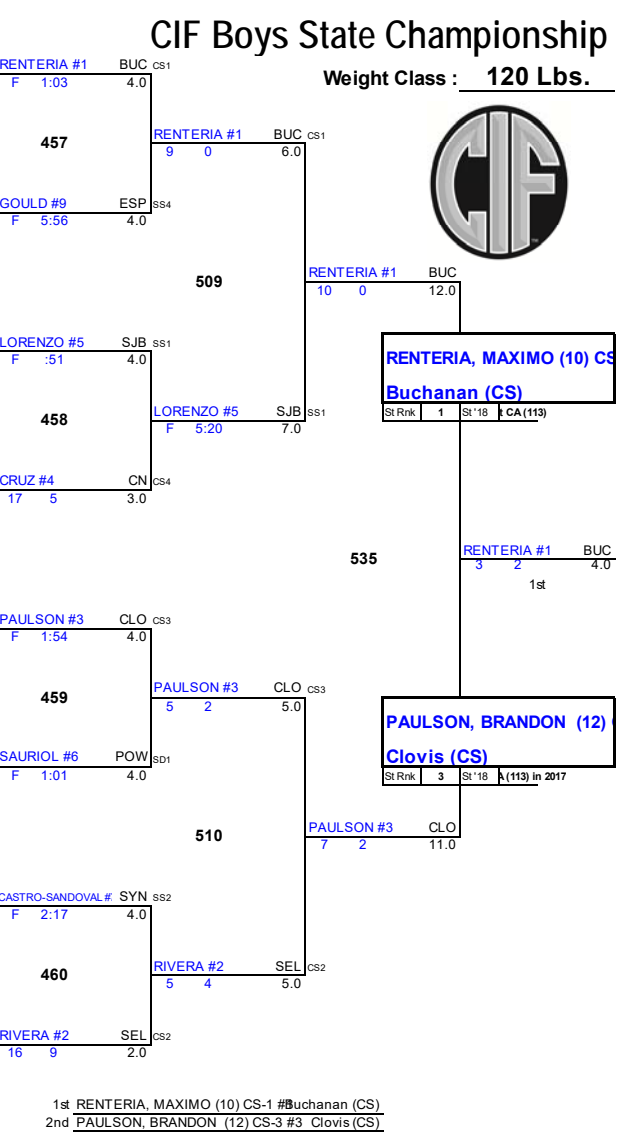


# CIF Boys State Championship

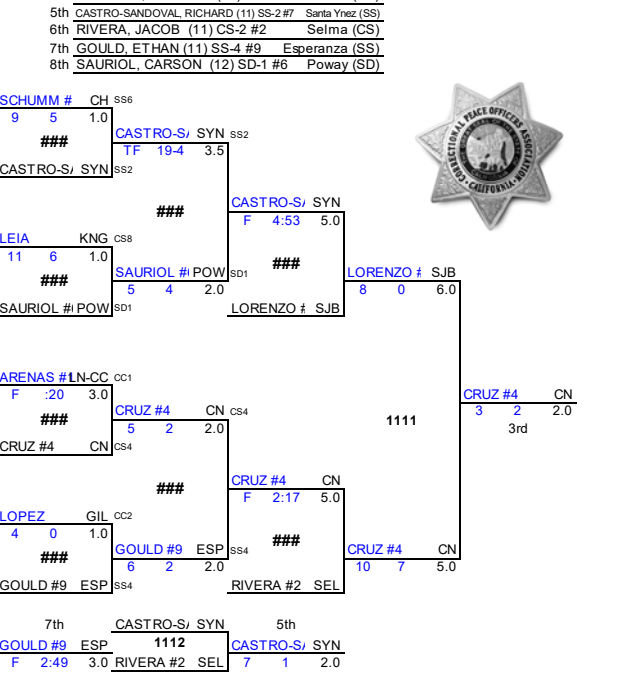
Weight Class : **120 Lbs.**



GAYTAN, JESSE (11) CS-5 #16		Lemoore (CS) <b>145</b>		GAITAN	TV
GAITAN, M.J (9) SS-5		Temecula Valley (SS)		2 0	4.0
RAMIREZ, ISRAEL (11) SD-2		San Ysidro (SD) <b>146</b>		RENTERIA #1	BUC
BASHOR, CLAYTON (10) SJ-4	Oakdale (SJ)	17	RENTERIA #1	BUC	4.0
RENTERIA, MAXIMO (10) CS-1 #1		Buchanan (CS)		F :50	4.0
GOULD, ETHAN (11) SS-4 #9		Esperanza (SS) <b>147</b>		GOULD #9	ESP
THAI, GIOVANNI (12) SF-1		Lowell (SF)		TF 15-0	5.5
APPLETON, JAY T (9) CS-T		Frontier (CS) <b>148</b>		DIXON #8	PVY
DUNCAN, DYLAN (12) SJ-6	Vista del Lago (SJ)	18	DIXON #8	PVY	4.0
DIXON, SAVION (12) SS-3 #8		Paloma Valley (SS)		F :30	4.0
PETRUSKE, GUS (12) NC-1 #12		College Park (NC) <b>149</b>		PETRUSKE #12	CP
MAGSINO, RALPH (11) SD-4		Olympian (SD)		F 2:49	6.0
LOPEZ, DONTE (9) CC-2		Gilroy (CC) <b>150</b>		LORENZO #5	SJB
LEIA, KIMO (9) CS-8	Kingsburg (CS)	19	LORENZO #5	SJB	2.0
LORENZO, ANTONIO (12) SS-1 #5		St. John Bosco (SS)		7 5	2.0
SCHUMM, GABRIEL (10) SS-6 #13		Citrus Hill (SS) <b>151</b>		SCHUMM #13	CH
COHN, MARCO (10) OS-1		Oakland Tech (OS)		F :45	6.0
FLOREZ, MARCO (10) CS-9		Exeter (CS) <b>152</b>		CRUZ #4	CN
THORNTON, BILLY (11) NS-1	Sutter (NS)	20	CRUZ #4	CN	3.0
CRUZ, JOEY (9) CS-4 #4		Clovis North (CS)		TF 21-6	3.5
PAULSON, BRANDON (12) CS-3 #3		Clovis (CS) <b>153</b>		PAULSON #3	CLO
DACLAN, VINCENT (12) SS-7		Santa Monica (SS)		F 1:39	6.0
GAITAN, JAKE (12) NC-2		Las Lomas (NC) <b>154</b>		NIIMI #14	GB
BAÑUELOS, DARIEN (11) LA-1	Carson (LA)	21	NIIMI #14	GB	3.0
NIIMI, KAI (12) SJ-3 #14		Granite Bay (SJ)		16 4	3.0
SCHANNEP, ISAAH (10) SJ-2 #11		Whitney (SJ) <b>155</b>		SCHANNEP #11	WHI
DOMINGUEZ, SEBASTIAN (12) SS-3		Alemany (SS)		2 1	4.0
NGUYEN, HARRISON (11) CC-3		Evergreen Valley (C) <b>156</b>		SAURIOL #6	POW
ARREOLA, LORENZO (12) CS-6	Dinuba (CS)	22	SAURIOL #6	POW	5.0
SAURIOL, CARSON (12) SD-1 #6		Poway (SD)		10 0	5.0
RUIZ, TJ (12) SJ-1 #10		Vacaville (SJ) <b>157</b>		RUIZ #10	VAC
GARCIA, RAUL (12) SD-3		Mt. Miguel (SD)		F 3:07	6.0
MARCHETTI, NOLAN (12) NC-3		Freedom (NC) <b>158</b>		CASTRO-SAN DOVAL #	SYN
MURPHY, JAMES (12) CS-7	Central (CS)	23	CASTRO-SAN DOVAL #7	SYN	3.5
CASTRO-SAN DOVAL, RICHARD (11) SS-2		Santa Ynez (SS)		F 2:40	4.0
RIVERA, JACOB (11) CS-2 #2		Selma (CS) <b>159</b>		RIVERA #2	SEL
UYESAKA, KADE (12) SS-9		Dos Pueblos (SS)		16 9	4.0
NICKERSON, RUSSEL (10) NS-2		Quincy (NS) <b>160</b>		ARENAS #15	LN-CC
PRIM, CARSON (10) SJ-5	Grace Davis (SJ)	24	ARENAS #15	LN-CC	2.0
ARENAS, ADAM (11) CC-1 #15		Lincoln-SJ (CC)		11 0	3.0



BASHOR	OKD	BASHOR	OKD	BASHOR	OKD
DACLAN	SMC	GAITAN	LI	F :30	3.0
DUNCAN	VDL	729	SCHUMM #1	CH	F 4:19 3.0
DOMINGUEZ	ALE	841	NGUYEN	EV	9 5 1.0
LEIA	KNG	730	PETRUSKE	CP	F 2:40 3.0
GARCIA	MMG	15 4 2.0	LEIA	KNG	842
THORNTON	SUT	731	MARCHETTI	FRD	F 4:39 3.0
UYESAKA	DP	6 4 1.0	UYESAKA	DP	843
BAÑUELOS	CRS	732	NICKERSON	QUI	7 0 1.0
GAYTON #16	LEM	12 5 1.0	GAYTON #1	LEM	844
ARREOLA	DIN	733	ARENAS #1	LN-CC	F 4:59 3.0
THAI	LOW	TF 16-0 2.5	ARREOLA	DIN	845
MURPHY	CEN	734	APPLETON	FRQ	6 1 1.0
MAGSINO	OLY	9 1 2.0	MURPHY	CEN	846
PRIM	GD	735	LOPEZ	GIL	F 2:55 3.0
COHN	OT	F :52 3.0	FLOREZ	EXT	11 6 1.0
		736	NIIMI #14	GB	4 3 1.0

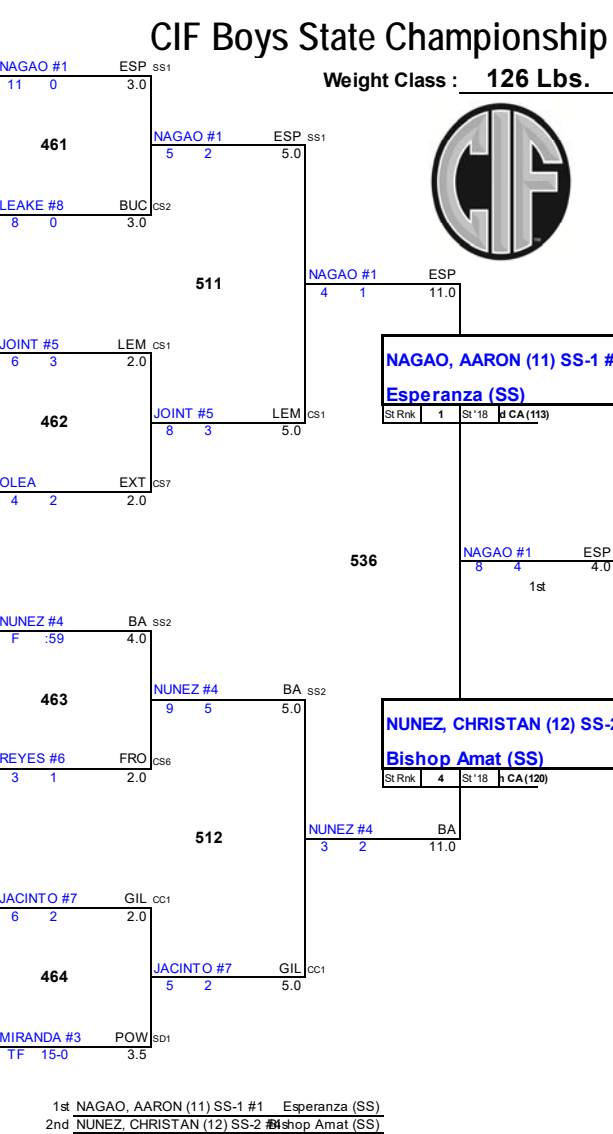


# CIF Boys State Championship

Weight Class : **126 Lbs.**

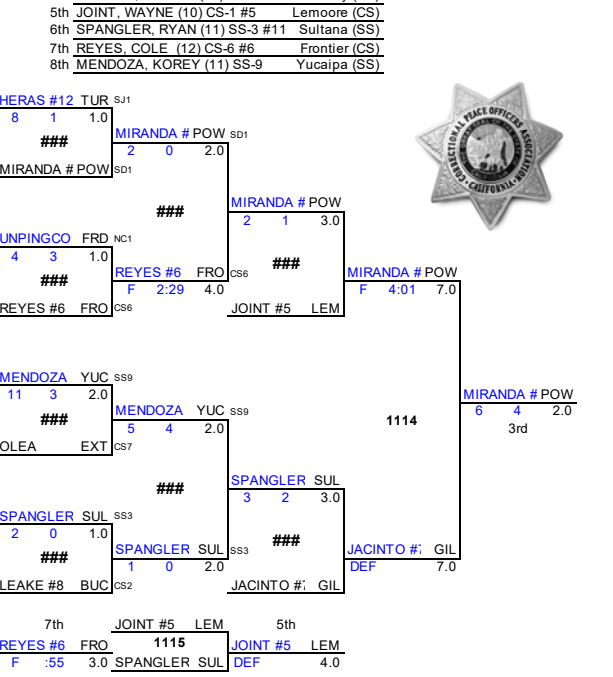


NAGAO, AARON (11) SS-1 #1	ESP	3.0	
Esperanza (SS) 161	NAGAO #1	TF 17-1	5.5
BLACKWELL, EUJ (11) SJ-6	TF	4 2	4.0
Tracy (SJ)	361		
WANG, ANDREW (12) CC-2	WANG	PA	4.0
Palo Alto (CC) 162			
LEPE #16	SFR	4 2	4.0
LEPE, KOBE (12) LA-1 #16	10 6	2.0	
San Fernando (LA)			
UNPINGCO, DAKOTA (12) NC-1 #9	FRD		
Freedom (NC) 163	UNPINGCO #9	FRD	5.5
MENDOZA, KOREY (11) SS-9	TF	15-0	5.5
Yucaipa (SS)	362		
MOLINA, DAYMEOND (12) SS-7	LEAKE #8	BUC	5.0
Canyon Springs (SS) 164			
LEAKE #8	BUC	12 4	5.0
SCHWAEBE, ALEXANDER (11) SD-2	0.0		
San Diego (SD) 26			
LEAKE, HUNTER (11) CS-2 #8	3	0.0	
Buchanan (CS)			
HERAS, ADRIAN (11) SJ-1 #12	HERAS #12	TUR	6.0
Turlock (SJ) 165			
GONZALEZ, FERNANDO (9) CS-3	F	4:32	6.0
Sanger (CS)	363		
HERRERA, RICHY (11) SS-8	JOINT #5	LEM	4.0
Sonora (SS) 166			
JOINT #5	F	4:27	4.0
STEVENS, DALLAS (10) NS-2	6 1	2.0	
Gridley (NS) 27			
JOINT, WAYNE (10) CS-1 #5			
Lemoore (CS)			
IVALDI, EVAN (10) SJ-2 #13	OLEA	EXT	5.0
Del Oro (SJ) 167			
OLEA, ERIK (12) CS-7	11 2	5.0	
Exeter (CS)	364		
NGUYEN, ANDY (11) SD-3	Mira Mesa (SD) 168	REYES	6.0
Mira Mesa (SD)	HAN	10 5	6.0
REYES, GABRIEL (11) CS-T	0.0		
Hanford (CS) 28			
MURPHY, OUT (11) CS-3 #2			
Clovis North (CS)			
NUNEZ, CHRISTAN (12) SS-2 #4	NUNEZ #4	BA	5.5
Bishop Amat (SS) 169			
ANTONIO, CHRISTIAN (10) CC-3	TF	25-9	5.5
Evergreen Valley (CC)	365		
RHOADS, AUSTIN (9) CS-5	RHOADS	CLO	4.0
Clovis (CS) 170			
ALANIS #14	FRA	5 1	4.0
Temecula Valley (SS) 29			
ALANIS, EDISON (12) SJ-3 #14	7 3	2.0	
Franklin-EG (SJ)			
SPANGLER, RYAN (11) SS-3 #11	SPANGLER #11	SUL	6.0
Sultana (SS) 171			
LAWRENCE, ROYAL (10) OS-1	F	:40	6.0
Oakland Tech (OS)	366		
SHIRAR, CONNER (12) SJ-5	REYES #6	FRO	2.0
Vacaville (SJ) 172			
REYES #6	FRO	9 3	2.0
RUFFINELLI, MARCO (12) NC-3	2 0	2.0	
Las Lomas (NC) 30			
REYES, COLE (12) CS-6 #6			
Frontier (CS)			
JACINTO, VICTOR (10) CC-1 #7	GIL	CC1	4.0
Gilroy (CC) 173			
GARZA, CEASAR (9) SJ-4	3 1	4.0	
Oakdale (SJ)	367		
MAGANA, MARCOS (12) SS-4	VALDOVINOS #10	CW	2.0
Servite (SS) 174			
VALDOVINOS #10	CW	5 1	2.0
Lowell (SF) 31			
VALDOVINOS, RAUL (10) CS-4 #10	DEF	4.0	
Clovis West (CS)			
HILT, RILEY (12) NC-2 #15	MORA	PV	4.0
De La Salle (NC) 175			
MORA, JAKE (12) NS-1	7 6	4.0	
Pleasant Valley (NS)	368		
LEVINE, MICAH (12) SD-4	MIRANDA #3	POW	4.0
Mt Carmel (SD) 176			
MIRANDA #3	POW	F 3:13	4.0
VALENCIA, JASON (12) SS-6	2 0	2.0	
Northview (SS) 32			
MIRANDA, JASON (11) SD-1 #3			
Poway (SD)			



- 1st NAGAO, AARON (11) SS-1 #1 Esperanza (SS)
- 2nd NUNEZ, CHRISTAN (12) SS-2 #4 Bishop Amat (SS)
- 3rd MIRANDA, JASON (11) SD-1 #3 Poway (SD)
- 4th JACINTO, VICTOR (10) CC-1 #7 Gilroy (CC)
- 5th JOINT, WAYNE (10) CS-1 #5 Lemoore (CS)
- 6th SPANGLER, RYAN (11) SS-3 #11 Sultana (SS)
- 7th REYES, COLE (12) CS-6 #6 Frontier (CS)
- 8th MENDOZA, KOREY (11) SS-9 Yucaipa (SS)

ANTONIO 625	EV	F 2:33	3.0	ALANIS #14	FRA	3 0	1.0	ALANIS #14	FRA
SCHWAEBE 626	OT	5 0	1.0	SCHWAEBE	SD	8 4	1.0	HERAS #12	TUR
STEVENS 627	GRI	738		HERAS #12	TUR	F :36	3.0		
GARZA 628	TV	740		WANG	PA	12 2	2.0		
BLACKWELL 629	TRY	F 4:10	3.0	LEPE #16	SFR	12 4	2.0	LEPE #16	SFR
RUFFINELLI 630	LL	741		MORA	PV	14 6	2.0		
MENDOZA 631	YUC	8 1	1.0	MENDOZA	YUC	8 3	1.0	MENDOZA	YUC
GEVORKYAN 632	LOW	742		VALDOVINO	CW	DEF	3.0		
GONZALEZ 633	SAN	DEF	3.0	HERRERA	SO-SS	8 7	1.0	SPANGLER	SUL
VALENCIA 634	NVW	743		SPANGLER	SUL	F 1:19	3.0		
IVALDI #13 635	DO	2 0	1.0	VALENCIA	NVW	F 3:49	3.0	RHOADS	CLO
		744		RHOADS	CLO	2 0	1.0		



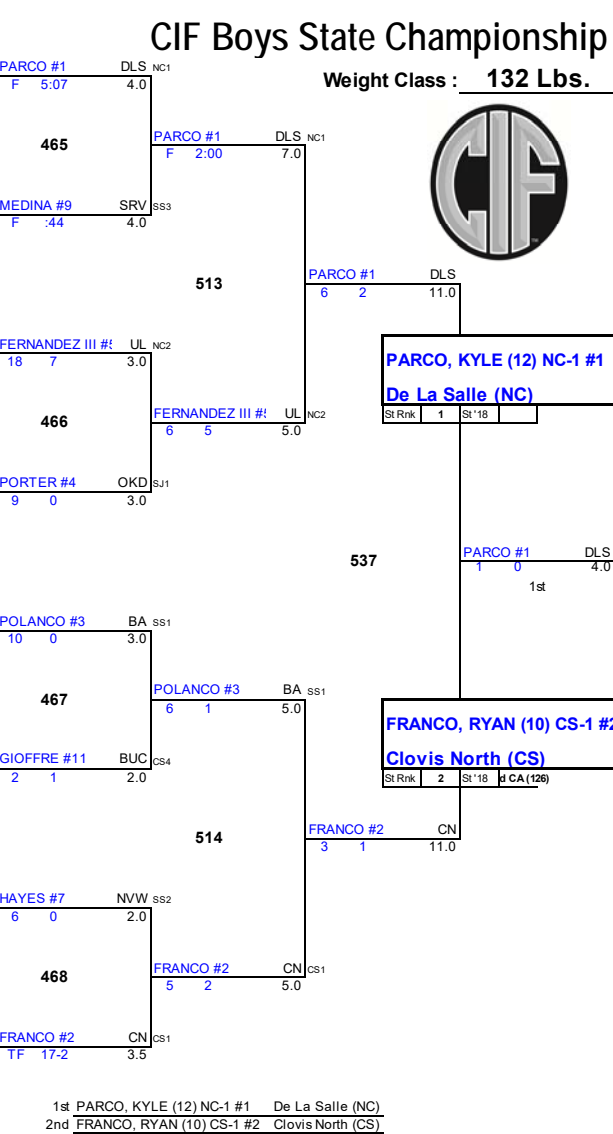
REYES #6 FRO 7th JOINT #5 LEM 5th  
 1116 REYES #6 FRO 1115 JOINT #5 LEM  
 MENDOZA YUC F :55 3.0 SPANGLER SUL DEF 4.0

# CIF Boys State Championship

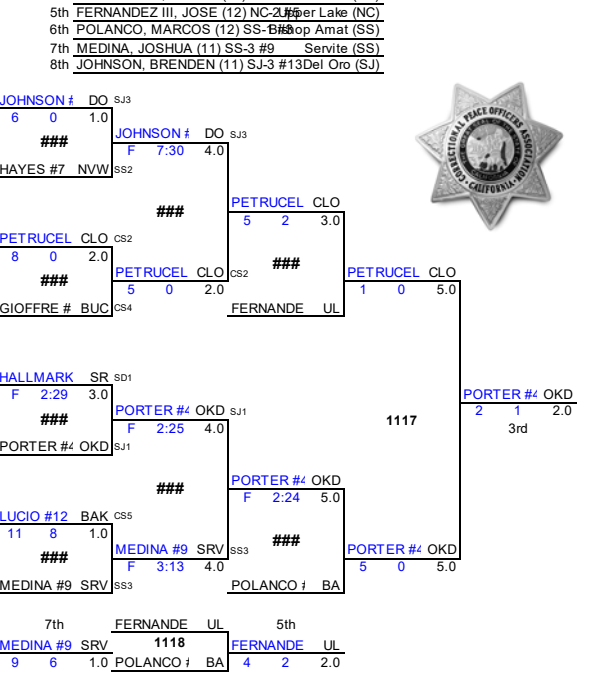
Weight Class : **132 Lbs.**



PARCO, KYLE (12) NC-1#1		PARCO #1	DLS
De La Salle (NC) 177		F 4:41	6.0
TANNER, PORTER (11) CS-7		TF 20-3	3.5
Paso Robles (CS) 369			
BURLINGAME (CC) 178		GAYER #16	CCH
Burlingame (CC) 178		TF 20-3	3.5
BOTELHO, KYLE (11) CC-2			
Burlingame (CC) 178		GAYER #16	CCH
Burlingame (CC) 178		TF 20-3	3.5
HOLMAN, DEVIN (12) SJ-4			
El Capitan (SJ) 33			
GAYER, LUKE (9) SS-4 #16			
Calvary Chapel (SS)			
PETRUCCELLI, GIANO (10) CS-2 #8			
Clovis (CS) 179		PETRUCCELLI #8	CLO
RUDKIN, ALEX (10) NS-2		F 1:44	6.0
Chico (NS) 370			
HALLMARK, CHAZ (12) SD-1			
Scripps Ranch (SD) 180		MEDINA #9	SRV
Scripps Ranch (SD) 180		F 3:49	4.0
ELGARICO, RYAN (12) SJ-5			
Elk Grove (SJ) 34			
MEDINA, JOSHUA (11) SS-3 #9			
Servite (SS)			
FERNANDEZ III, JOSE (12) NC-2 #5			
Upper Lake (NC) 181		FERNANDEZ III #5	UL
CHIW, EDDIE (11) SD-3		F 1:59	6.0
Mira Mesa (SD) 371			
LEVINE, TIMOTHY (11) SS-5			
St. John Bosco (SS) 182		LEVINE	SJB
St. John Bosco (SS) 182		BAK	6.0
LUCIO, CADE (10) CS-5 #12			
Bakersfield (CS) 35			
JOHNSON, BRENDEN (11) SJ-3 #13			
Del Oro (SJ) 183		JOHNSON #13	DO
YESCAS, SANTIAGO (10) SF-1		F 2:42	6.0
Washington (SF) 372			
MIRANDA, JUDE (12) CS-8			
Hanford (CS) 184		PORTER #4	OKD
Hanford (CS) 184		F 2:37	4.0
CHIRINO, BRADLEY (12) SS-8			
Bonita (SS) 36			
PORTER, HENRY (10) SJ-1 #4			
Oakdale (SJ)			
POLANCO, MARCOS (12) SS-1 #3			
Bishop Amat (SS) 185		POLANCO #3	BA
RODRIGUEZ, ALEX (11) CS-9		F 1:29	6.0
Redwood (CS) 373			
STOODARD, ZANE (11) SD-2			
Poway (SD) 186		PERALTA #14	VAC
Branham (CC) 37		PERALTA #14	VAC
PERALTA, JACOB (12) SJ-6 #14			
Vacaville (SJ)			
GIOFFRE, LOGAN (11) CS-4 #11			
Buchanan (CS) 187		GIOFFRE #11	BUC
NAVA, DIEGO (12) LA-1		15 1	5.0
Birmingham (LA) 374			
KEPHART, ISAAC (12) CS-T			
Arroyo Grande (CS) 188		MIRELEZ #6	PAT
Laguna Hills (SS) 38		MIRELEZ #6	PAT
MIRELEZ, NOAH (12) SJ-2 #6		F 4:51	4.0
Patterson (SJ)			
HAYES, COLLIN (11) SS-2 #7			
Northview (SS) 189		HAYES #7	NVW
RABY, ROCKY (11) NS-1		TF 18-2	5.5
West Valley (NS) 375			
CARDENAS, EZRA (11) SD-4			
Steele Canyon (SD) 190		VIVEROS #10	KNG
Beverly Hills (SS) 39		VIVEROS #10	KNG
VIVEROS, JONATHAN (10) CS-3 #10		15 7 3	3.0
Kingsburg (CS)			
FRANCO, RYAN (10) CS-1 #2			
Clovis North (CS) 191		FRANCO #2	CN
LUNA, SUNNY (12) SS-6		6 2	4.0
Victor Valley (SS) 376			
HIBERT, EMMANUEL (12) OS-1			
Skyline (OS) 192		OTHMAN	BEN
Benicia (NC) 40		OTHMAN	BEN
FLETCHER, GARRETT (11) CS-6 #15		8 1	2.0
Frontier (CS)			



HOLMAN, ECP		HOLMAN	ECP
RODRIGUEZ, RED		F :52	3.0
STOODARD, POW		9 2	1.0
ELGARICO, EG		745	JOHNSON # DO
ELGARICO, EG		857	953
NAVA, BIR		8 0	2.0
KEPHART, AGR		8 0	2.0
CASTRO, GIL		746	LEVINE, SJB
CASTRO, GIL		858	F 4:40
RABY, WV-NS		11 3	2.0
CARDENAS, SCN		F 2:12	3.0
CHIRINO, BON		747	PETRUCCELLI CLO
LUNA, VV		859	F 3:50
LUNA, VV		12 4	2.0
HIBERT, SKY		F :53	3.0
MELENDEZ, BRA		748	GAYER #16 CCH
TANNER, PR		TF 16-0	2.5
BURLINGAME, BUR		F 4:49	3.0
KROESEN, LHL		749	OTHMAN, BEN
KROESEN, LHL		861	9 3
RUDKIN, CHC		TF 17-0	2.5
HALLMARK, SR		6 5	1.0
HELLER, BHL		750	VIVEROS #1 KNG
HELLER, BHL		862	10 2
CHIW, MM		TF 22-7	2.5
LUCIO #12, BAK		8 5	1.0
FLETCHER #15, FRO		751	MIRELEZ #6 PAT
FLETCHER #15, FRO		863	10 5
YESCAS, WA-SF		TF 15-0	2.5
FLETCHER #15, FRO		863	11 8
MIRANDA, HAN		752	PERALTA # VAC
MIRANDA, HAN		864	F 3:00



# CIF Boys State Championship

Weight Class : **138 Lbs.**



VASQUEZ, JESSE (11) SS-1#1 Excelsior Charter (S) 193 LEON, DOMINICK (10) CS-T Golden Valley (CS) 377	VASQUEZ #1 F 2:52 6.0	EXC SS1 4.0	VASQUEZ #1 F :39	EXC SS1 4.0	VASQUEZ #1 F 3:15	EXC SS1 7.0	VASQUEZ, JESSE (11) SS-1 Excelsior Charter (SS)
BIRCH, ETHAN (9) SJ-5 Vacaville (SJ) 41 SEPULVEDA, TYLER (10) CS-5 #16 Selma (CS)	SEPULVEDA #16 SEL 7 6 4.0	MONJARES LL	LE, JADEN (11) SD-1 #8 Rancho Bernardo (S) 195 OST, JAMES (12) CC-2 Fremont (CC) 378 CHAVEZ, MERE (12) NS-2 Chico (NS) 196 RAMIREZ BAR 10 2 3.0	MONJARES LL	RAMIREZ BAR 10 2 3.0	VASQUEZ #1 F :39	EXC 13.0
RAMIREZ, ISAIAH (12) SS-6 Barstow (SS) 42 MORPHIS, RYAN (12) CS-3 #9 Frontier (CS)	RAMIREZ BAR 10 2 3.0	ARROYO, LUCIANO (12) SS-2 #5 Calvary Chapel (SS) 197 MILLER, MICHAEL (12) SJ-6 Central Valley (SJ) 379 JACKSON, JETT (10) CS-7 Kingsburg (CS) 198 ROWLAND #12 CHM 7 2 2.0	ARROYO #5 CCH 14 3 5.0	ARROYO #5 CCH SS2 10 4 2.0	ARROYO #5 CCH SS2 10 4 2.0	VASQUEZ #1 F :39	EXC 13.0
GRAY, OUT (12) OS-1 Oakland Tech (OS) 43 ROWLAND, PATRICK (12) SS-9 #12 Chaminade (SS)	DEF 4.0	BLOEMHOF, ANDREW (12) CS-2 #4 Bakersfield (CS) 199 VILLA, DAVID (10) SS-5 Citrus Hill (SS) 380 LOBOS, DESI (10) LA-1 Birmingham (LA) 200 NAVIDA SMR F 3:21 4.0	BLOEMHOF #4 BAK 11 1 5.0	BLOEMHOF #4 BAK CS2 12 5 2.0	ARROYO #5 CCH SS2 5 3 5.0	VASQUEZ #1 F :39	EXC 13.0
NAVIDA, CHRISTIAN (11) SD-3 San Marcos (SD) 44 WATTS, ZACH (11) CS-4 #13 Clovis North (CS)	NAVIDA SMR F 3:21 4.0	GUERRERO, DWAYNE (12) NC-1 #14 De La Salle (NC) 201 MURABITO, CLAYTON (12) CC-3 Los Gatos (CC) 381 SAMANO, ISAAC (11) SS-8 Don Lugo (SS) 202 DEEN #3 BUC F 2:32 4.0	GUERRERO #14 DLS 8 7 4.0	DEEN #3 BUC CS1 7 1 2.0	DEEN #3 BUC CS1 5 3 5.0	VASQUEZ #1 F :39	EXC 13.0
GUTIERREZ, DAKOTA (11) SJ-4 Bella Vista (SJ) 45 DEEN, TYLER (12) CS-1 #3 Buchanan (CS)	DEEN #3 BUC 10 0 3.0	TORRES, RICKEY (12) SJ-1 #6 Oakdale (SJ) 203 PEREZ, ANGEL (11) CS-6 Firebaugh (CS) 382 TOLENTINO, NOAH (9) SD-2 Poway (SD) 204 OKADA #11 SRV F 16 3 3.0	TORRES #6 OKD 5 1 4.0	OKADA #11 SRV SS4 5 1 2.0	OKADA #11 SRV SS4 5 1 2.0	VASQUEZ #1 F :39	EXC 13.0
NASCIMENTO, JONAH (12) SF-1 Lowell (SF) 46 OKADA, TEDDY (12) SS-4 #11 Servite (SS)	OKADA #11 SRV F 16 3 3.0	PEREZ, BEAU (12) SS-3 #10 San Marino (SS) 205 SANCHEZ, COLE (11) NC-3 Northgate (NC) 383 ZUNIGA, GEORGE (11) CS-8 Central (CS) 206 BLAKE #7 DO F 7 3 2.0	PEREZ #10 SMI 7 5 4.0	PEREZ #10 SMI SS3 7 3 2.0	PEREZ #10 SMI SS3 7 3 2.0	VASQUEZ #1 F :39	EXC 13.0
MONTGOMERY, BONNER (11) NS-1 Chester (NS) 47 BLAKE, ELI (11) SJ-3 #7 Del Oro (SJ)	BLAKE #7 DO F 7 3 2.0	FRANK, KENDALL (12) SJ-2 #15 Elk Grove (SJ) 207 GUTIERREZ, JOSE (10) SD-4 Brawley (SD) 384 ARRANDA, OSCAR (9) SS-7 St. John Bosco (SS) 208 SALDATE #2 GIL F 10 5 2.0	FRANK #15 EG 17 5 5.0	SALDATE #2 GIL CC1 F 4:59 4.0	SALDATE #2 GIL CC1 9 0 6.0	VASQUEZ #1 F :39	EXC 13.0
LOGAN, AVINA, BARAJAS (11) CS-9 Clovis (CS) 48 SALDATE, CHASE (11) CC-1 #2 Gilroy (CC)	SALDATE #2 GIL F 10 5 2.0	PEREZ, BEAU (12) SS-3 #10 San Marino (SS) 205 SANCHEZ, COLE (11) NC-3 Northgate (NC) 383 ZUNIGA, GEORGE (11) CS-8 Central (CS) 206 BLAKE #7 DO F 7 3 2.0	PEREZ #10 SMI 7 5 4.0	PEREZ #10 SMI SS3 7 3 2.0	PEREZ #10 SMI SS3 7 3 2.0	VASQUEZ #1 F :39	EXC 13.0

BIRCH	VAC	MURABITO	LG	SAMANO	DL	NAVIDA	SMR
MURABITO	LG	4	3	1.0	4	3	1.0
MORPHIS #9	FRO	753	NAVIDA	SMR	4	2	1.0
PEREZ	FIR	F 4:06	MORPHIS #9	FRO	865	MORPHIS #9	FRO
GRAY	OT	754	TOLENTINO	POW	8	1	1.0
SANCHEZ	NG	DEF	ZUNIGA	CEN	F 3:27	3.0	RAMIREZ
WATTS #13	CN	755	RAMIREZ	BAR	F 4:53	3.0	WATTS #13
GUTIERREZ	BRW	8	0	2.0	WATTS #13	CN	958
GUTIERREZ	BVI	756	ARRANDA	SJB	8	2	1.0
LEON	GV-CS	7	1	1.0	SEPULVEDA	SEL	868
NASCIMENTO	LOW	757	SEPULVEDA	SEL	5	3	1.0
OST	FR-CC	14	1	2.0	FRANK #15	EG	3
MONTGOMERY	CHS	758	CHAVEZ	CHC	11	2	2.0
MILLER	CVY	F 1:14	3.0	MILLER	CVY	870	BLAKE #7
LOGAN	CLO	759	JACKSON	KNG	F 1:39	3.0	BLAKE #7
VILLA	CH	3	2	1.0	TORRES #6	OKD	F 1:55
		760	LOGAN	CLO	871	TORRES #6	OKD
			LOBOS	BIR	F 4:56	3.0	TORRES #6
					5	2	1.0

OKADA #11	SRV	7th	ARROYO #5	CCH	5th
1122	BLAKE #7	DO	F 1:29	3.0	DEEN #3
BLAKE #7	DO	F 1:29	3.0	DEEN #3	BUC
					7

1120	MORPHIS #9	FRO	9	4	2.0
					3rd

1st VASQUEZ, JESSE (11) SS-1#1 Excelsior Charter (SS)  
 2nd SALDATE, CHASE (11) CC-1 #2 Gilroy (CC)  
 3rd MORPHIS, RYAN (12) CS-3 #9 Frontier (CS)  
 4th LE, JADEN (11) SD-1 #8 Rancho Bernardo (SD)  
 5th DEEN, TYLER (12) CS-1 #3 Buchanan (CS)  
 6th ARROYO, LUCIANO (12) SS-2 #5 Calvary Chapel (SS)  
 7th BLAKE, ELI (11) SJ-3 #7 Del Oro (SJ)  
 8th OKADA, TEDDY (12) SS-4 #11 Servite (SS)

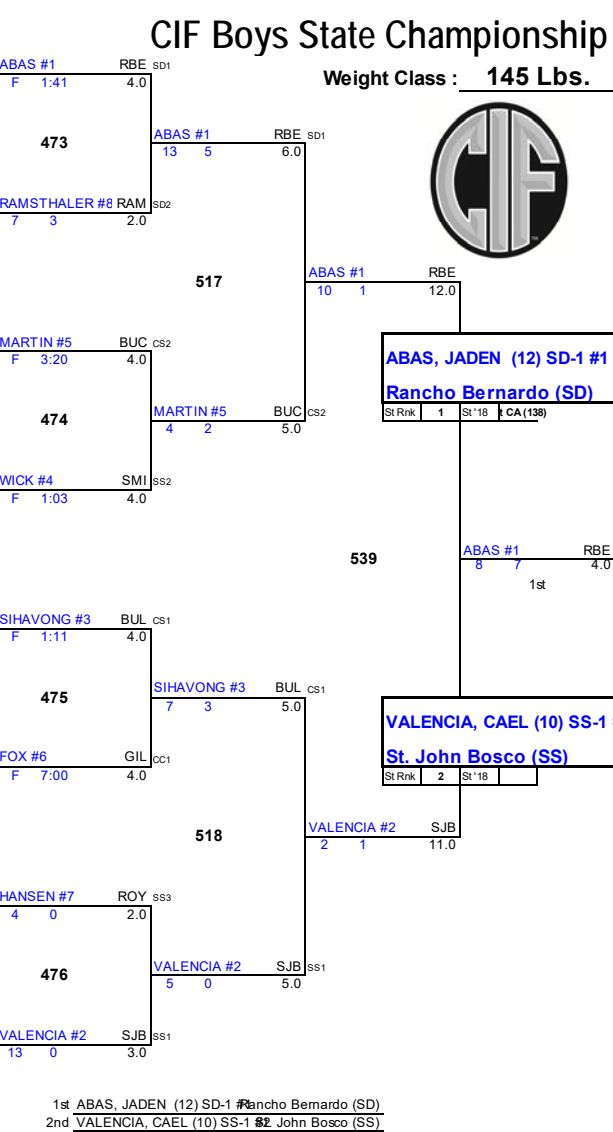


# CIF Boys State Championship

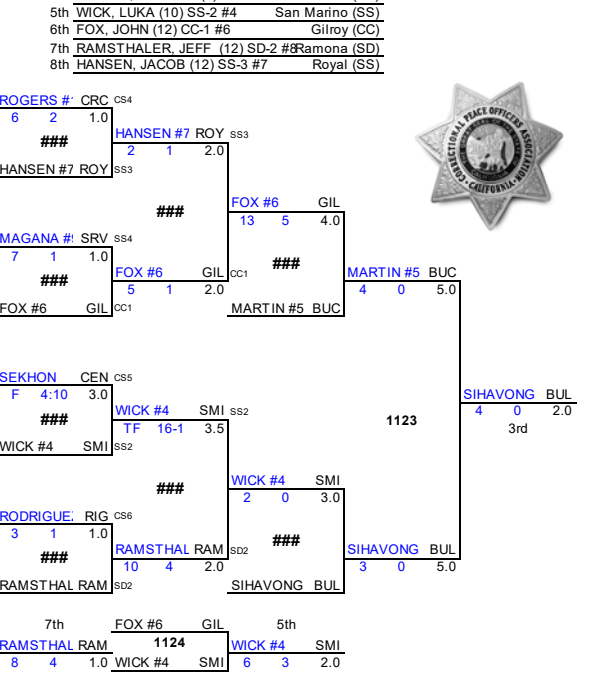
Weight Class : **145 Lbs.**



BORBA, SETH (10) SJ-2 #16	209	MORA	ESP
Oakdale (SJ)			6.0
MORA, JOEY (11) SS-8		F 5:56	
Esperanza (SS)			3.85
MARTINO, NICK (12) CS-7			
Clovis (CS)	49	Lowell (SF)	210
ABAS, JADEN (12) SD-1 #1		ABAS #1	RBE
Rancho Bernardo (SD)		TF 21-6	3.5
		RAMSTHALER, JEFF (12) SD-2 #8	
		Ramona (SD)	211
		ESTRADA, JOSE (12) SJ-6	F 4:00
		Beyer (SJ)	3.86
WILSON, EARNEST (11) NS-1		SEKHON, ABHEYBIR (11) CS-5	
Foothill (NS)	50	Central (CS)	212
MAGANA, DANIEL (12) SS-4 #9		MAGANA #9	SRV
Servite (SS)		TF 16-0	3.5
		MARTIN, JOSEPH (9) CS-2 #5	
		Buchanan (CS)	213
		BOLLINGER, BRANDON (11) SS-2	F 3:39
		Sultana (SS)	3.87
		GALEF, AARON (12) LA-1	
GONZALEZ, SAUL (12) CC-2		Birmingham (LA)	214
Palma (CC)	51	ROGERS #12	CRC
ROGERS, BROCK (12) CS-4 #12		ROGERS #12	CRC
Corcoran (CS)		7 5	2.0
		SILVEIRA, SAMMY (11) SJ-1 #13	
		Pitman (SJ)	215
		RODRIGUEZ, MATT (9) CS-6	3 0
		Righetti (CS)	3.88
		MORALES, CHRISTIAN (11) SD-4	
SUMULONG, LOGAN (12) NC-3		Poway (SD)	216
De La Salle (NC)	52	WICK #4	SMI
WICK, LUKA (10) SS-2 #4		WICK #4	SMI
San Marino (SS)		F 1:11	4.0
		SILVA, TRENT (11) NC-1 #14	
		Windsor (NC)	217
		LANDIN, JOSE (11) CS-T	8 7
		Frontier (CS)	3.89
		HOULE, OUT (10) SS-6	
JOHNSON, ERIK (10) SJ-4		Capistrano Valley ( )	218
Vista del Lago (SJ)	53	SIHAVONG #3	BUL
SIHAVONG, DAWSON (12) CS-1 #3		SIHAVONG #3	BUL
Bullard (CS)		F 1:50	4.0
		FOX, JOHN (12) CC-1 #6	
		Gilroy (CC)	219
		HART, NATHAN (12) SD-3	F 1:53
		Imperial (SD)	3.90
RIOS, ADRIAN (12) SS-9		MARTIN, ZANE (12) SJ-3	
Bishop Amat (SS)	54	Vacaville (SJ)	220
CUTTONE, VITO (12) CS-3 #11		CUTTONE #11	CN
Clovis North (CS)		CUTTONE #11	CN
		6 2	2.0
		CORTEZ, GABRIEL (12) SS-5 #10	
		Northview (SS)	221
		BUSTAMANTE, DAVID (11) OS-1	F 1:16
		Oakland (OS)	3.91
		WILLS, ZACHARY (12) CS-8	
PIMENTEL, ALEX (10) NS-2		Centennial (CS)	222
Pleasant Valley (NS)	55	HANSEN #7	ROY
HANSEN, JACOB (12) SS-3 #7		HANSEN #7	ROY
Royal (SS)		F 1:32	4.0
		VALENCIA, CAEL (10) SS-1 #2	
		St. John Bosco (SS)	223
		KLAIR, AMMAN (12) CC-3	4 0
		Monte Vista Christian (CC)	3.92
		MACHADO, ERNESTO (12) CS-9	
CAMPOS, JED (10) SJ-5		Golden Valley (CS)	224
Del Oro (SJ)	56	PAULSON #15	LB-NC
PAULSON, NATE (12) NC-2 #15		PAULSON #15	LB-NC
Liberty (NC)		F 1:04	4.0
		3 1	2.0



MARTINO	CLO	SILVA #14	WIN	WIN	SILVA #14	WIN	SILVEIRA #	PIT
SILVA #14	WIN	13 4	2.0	DEF	CV	3.0	SILVEIRA #	PIT
WILLSON	FH-NS	761		SILVEIRA #1	PIT	7 3	1.0	
HART	IMP	12 5	1.0	MARTIN	VAC	5 2	1.0	ROGERS #
GONZALEZ	PAL	762		ROGERS #1	CRC	9 4	1.0	
BUSTAMANTE	OAK	763		GONZALEZ	PAL	874		HANSEN #7
SUMULONG	DLS	763		MAGANA #9	SRV	5 2	1.0	
KLAIR	MVC	764		SUMULONG	DLS	962		MAGANA #
JOHNSON	VDL	764		MORA	ESP	11 3	2.0	
BORBA #16	OKD	765		BORBA #16	OKD	876		FOX #6
RIOS	BA	765		PAULSON #LB-NC		6 0	1.0	
ESTRADA	BEY	766		SEKHON	CEN	963		MAGANA #
PIMENTEL	PV	766		CORTEZ #11	NVW	5 4	1.0	
BOLLINGER	SUL	767		BOLLINGER	SUL	878		WICK #4
CAMPOS	DO	767		CUTTONE #	CN	5 4	1.0	
RODRIGUEZ	RIG	768		RODRIGUEZ	RIG	964		WICK #4
				RODRIGUEZ	RIG	8 1	1.0	
				LANDIN	FRO	6 4	1.0	
						880		







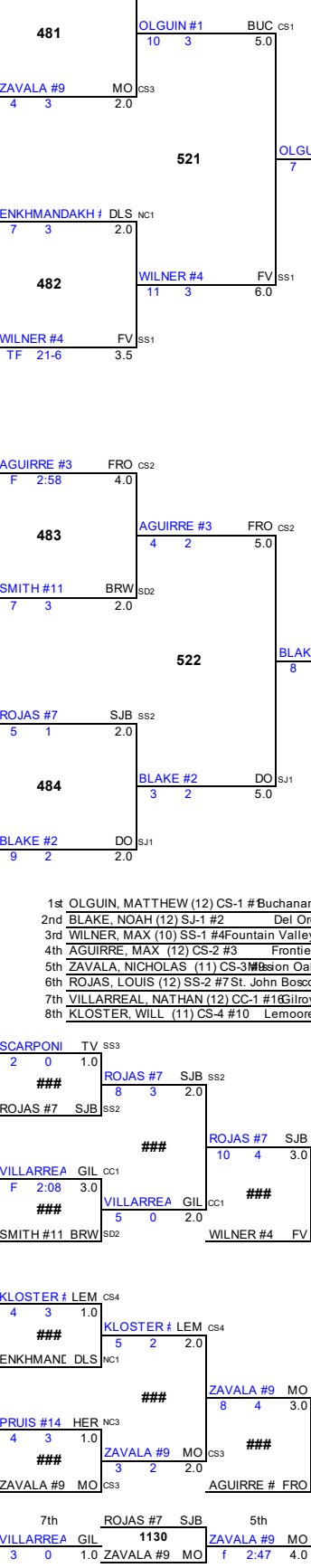
# CIF Boys State Championship

Weight Class : **160 Lbs.**



VILLARREAL, NATHAN (12) CC-1 #16 Gilroy (CC) <b>241</b>	VILLARREAL #16 11 2 5.0
LUSSIER, LUKE (12) SS-5 Victor Valley (SS) <b>401</b>	OLGUIN #1 BUC F 3:57 4.0
THORNBERG, ALEX (12) SJ-6 Vista del Lago (SJ) <b>242</b>	OLGUIN #1 BUC F 1:27 4.0
NICHOLSON, COLLIN (12) SS-9 Trabuco Hills (SS) <b>65</b>	OLGUIN #1 BUC F 2:32 4.0
OLGUIN, MATTHEW (12) CS-1 #1 Buchanan (CS)	ZAVALA, NICHOLAS (11) CS-3 #9 Mission Oak (CS) <b>243</b>
	ZAVALA #9 MO F 3:40 6.0
	SOTO, ZACH (12) NS-2 Chico (NS) <b>402</b>
	ISAIAS, BRIAN (12) SS-7 Villa Park (SS) <b>244</b>
MALONE, COULTER (12) SJ-5 Vacaville (SJ) <b>66</b>	HERNANDEZ #8 POW 5 2 2.0
HERNANDEZ, ALEX (11) SD-1 #8 Poway (SD)	HERNANDEZ #8 POW 7 0 2.0
	SCARPONI, MICHAEL (12) SS-3 #12 Temecula Valley (S) <b>245</b>
	SCARPONI #12 TV MYRTUE, EVAN (12) SJ-3 6 2 4.0
	El Capitan (SJ) <b>403</b>
	SANCHEZ, JADEN (11) CS-6 Bakersfield (CS) <b>246</b>
ORTIZ, PAUL (10) SD-3 Imperial (SD) <b>67</b>	ENKHMANDAKH #5 DLS F 5:16 4.0
ENKHMANDAKH, ANKHA (12) NC-1 #5 De La Salle (NC)	ENKHMANDAKH #5 DLS 11 1 3.0
	WILNER, MAX (10) SS-1 #4 Fountain Valley (S) <b>247</b>
	WILNER #4 FV F 3:44 6.0
	LEWALLEN, RILEY (12) SJ-4 Ponderosa (SJ) <b>404</b>
	WILNER #4 FV TF 21-6 3.5
BRAR, YADWINDER (11) CS-8 Clovis East (CS) <b>68</b>	GARCIA #13 KEL F 2:11 4.0
GARCIA, ALEX (12) NC-2 #13 Kelseyville (NC)	GARCIA #13 KEL F 3:03 4.0
	AGUIRRE, MAX (12) CS-2 #3 Frontier (CS) <b>249</b>
	AGUIRRE #3 FRO F 1:31 6.0
	CORTIZ, TONY (12) SS-4 Centennial Corona (SS) <b>405</b>
	AGUIRRE #3 FRO F 2:58 4.0
	COLIAS, PETER (11) SF-1 Galileo (SF) <b>250</b>
BROPHY, KURT (12) CC-2 Carmel (CC) <b>69</b>	PRUIS #14 HER F 1:19 4.0
PRUIS, CODY (12) NC-3 #14 Heritage (NC)	PRUIS #14 HER 8 3 2.0
	LAROSA, KENDALL (11) SJ-2 #6 Pitman (SJ) <b>251</b>
	LAROSA #6 PIT F 3:44 6.0
	BUSCHER, KYLE (12) SS-6 Oak Hills (SS) <b>406</b>
	HANSEN, LUKE (12) LA-1 Palisades (LA) <b>252</b>
SHERWOOD, REID (12) CS-7 Clovis North (CS) <b>70</b>	SMITH #11 BRW 10 0 3.0
SMITH, JAYDEN (12) SD-2 #11 Brawley (SD)	SMITH #11 BRW F 2:24 4.0
	ROJAS, LOUIS (12) SS-2 #7 St. John Bosco (SS) <b>253</b>
	ROJAS #7 SJB F 1:06 6.0
	HERNANDEZ, ISAIAS (11) CS-T Selma (CS) <b>407</b>
	ROJAS #7 SJB 5 1 2.0
	VELA, CARLOS (12) CC-3 Branham (CC) <b>254</b>
HANCOCK, ZAC (12) NS-1 Sutter (NS) <b>71</b>	KLOSTER #10 LEM F :53 4.0
KLOSTER, WILL (11) CS-4 #10 Lemoore (CS)	KLOSTER #10 LEM 5 2 2.0
	CHIARAMONTE, MIKELLI (11) CS-5 #15 Clovis (CS) <b>255</b>
	CHIARAMONTE #15 CLO F 1:17 6.0
	GONZALES, T.J. (10) OS-1 Skyline (OS) <b>408</b>
	BLAKE #2 DO 9 2 2.0
HATCHER, COBE (12) SS-8 Mayfair (SS) <b>72</b>	BLAKE #2 DO F 1:09 4.0
BLAKE, NOAH (12) SJ-1 #2 Del Oro (SJ)	BLAKE #2 DO F :53 4.0

**160 Lbs.**



**OLGUIN, MATTHEW (12) CS**  
Buchanan (CS)  
St Rnk 1 St 18 CA(139)

**BLAKE, NOAH (12) SJ-1 #2**  
Del Oro (SJ)  
St Rnk 2 St 18 CA(160)

NICHOLSON TH CORTEZ CN-SS MALONE VAC BUSCHER OH BUSCHER OH ORTIZ IMP HERNANDEZ SEL BRAR CE GONZALES SKY BROPHY CAR LUSSIER VV SHERWOOD CN SOTO CHC HANCOCK SUT MYRTUE ECP MYRTUE ECP HATCHER MAY LEWALLEN PON LEWALLEN PON	NICHOLSON TH F :07 3.0 777 BUSCHER OH HANSEN PLS ORTIZ IMP VELA BRA BRAR CE GRANTHAM MS GRANTHAM MS VILLARREAL GIL LUSSIER VV THORNBERG VDL SHERWOOD CN SHERWOOD CN ISAIAS VP MYRTUE ECP MYRTUE ECP SANCHEZ BAK LEWALLEN PON HOURI LCC HOURI LCC	NICHOLSON TH F 1:25 3.0 GARCIA #13 KEL 889 BUSCHER OH SCARPONI # TV ORTIZ IMP HERNANDEZ POW HORNANDEZ POW GRANTHAM MS VILLARREAL GIL LUSSIER VV CHIARAMONTE CLO CHIARAMONTE CLO SHERWOOD CN SHERWOOD CN KLOSTER # LEM MYRTUE ECP MYRTUE ECP LAROSA #6 PIT LAROSA #6 PIT LEWALLEN PON LEWALLEN PON PRUIS #14 HER PRUIS #14 HER	NICHOLSON TH F 1:25 3.0 6 0 1.0 969 SCARPONI TV ROJAS #7 SJB ROJAS #7 SJB ROJAS #7 SJB ROJAS #7 SJB VILLARREAL GIL VILLARREAL GIL SMITH #11 BRW KLOSTER # LEM KLOSTER # LEM ENKHMANDAKH DLS LAROSA #6 PIT LAROSA #6 PIT PRUIS #14 HER PRUIS #14 HER ZAVALA #9 MO ZAVALA #9 MO AGUIRRE # FRO AGUIRRE # FRO	SCARPONI TV 2 0 1.0 ### ROJAS #7 SJB ROJAS #7 SJB ROJAS #7 SJB ROJAS #7 SJB VILLARREAL GIL VILLARREAL GIL SMITH #11 BRW KLOSTER # LEM KLOSTER # LEM ENKHMANDAKH DLS LAROSA #6 PIT LAROSA #6 PIT PRUIS #14 HER PRUIS #14 HER ZAVALA #9 MO ZAVALA #9 MO AGUIRRE # FRO AGUIRRE # FRO
--	---	---	---	---



**WILNER #4** FV  
11 3 3.0  
3rd

VILLARREAL GIL 1131	7th VILLARREAL GIL 3 0 1.0	ROJAS #7 SJB 1130	5th ZAVALA #9 MO f 2:47 4.0
------------------------	----------------------------------	----------------------	-----------------------------------

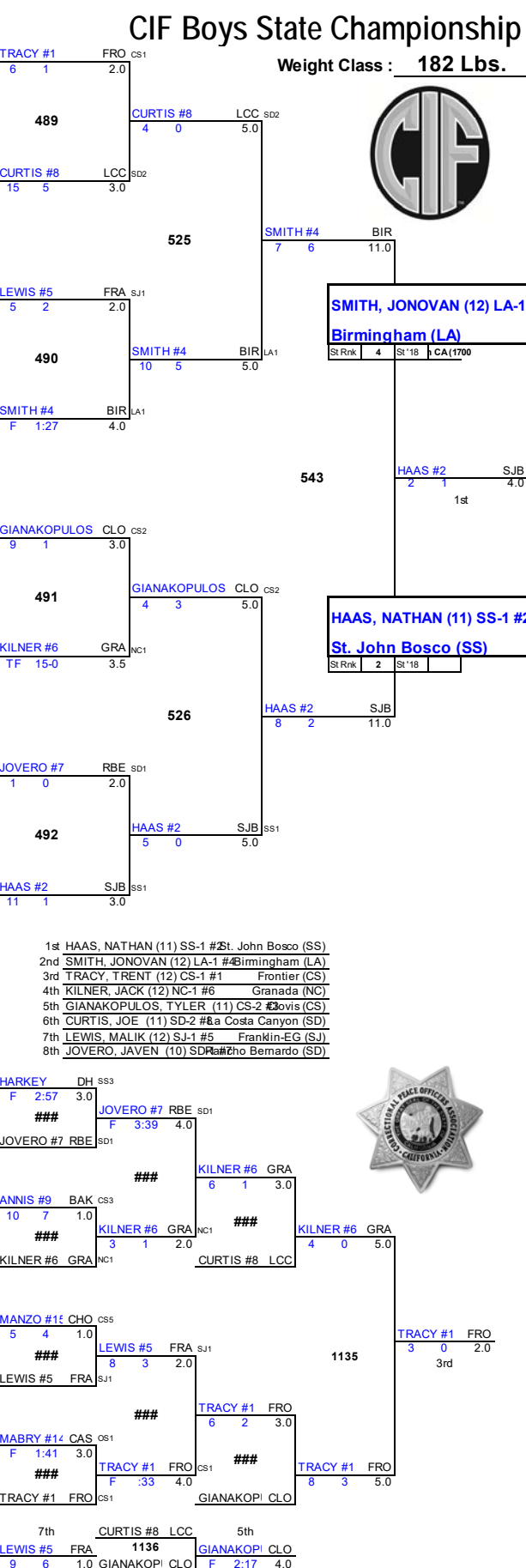


# CIF Boys State Championship

Weight Class : 182 Lbs.



TRACY, TRENT (12) CS-1#1 Frontier (CS) 273 RODRIGUEZ, JOSEPH (10) SS-5 Paramount (SS) 417 KOHLE, ANDREW (12) NC-2 Castro Valley (NC) 274 GARCIA #16 SEL F 4:21 4.0 REYES, MARCOS (12) CC-3 Aptos (CC) 81 GARCIA, RUDY (11) CS-7 #16 Selma (CS)	CURTIS, JOE (11) SD-2 #8 La Costa Canyon (S) 275 CURTIS #8 LCC GRIFFITHS, JACOB (11) SJ-4 Ponderosa (SJ) 418 DARBINIAN, KHAJACK (12) SS-7 San Clemente (SS) 276 ANNIS #9 BAK F .49 4.0 MCCOY, BOBBY (12) NS-1 Chico (NS) 82 ANNIS, JORDAN (12) CS-3 #9 Bakersfield (CS)	LEWIS, MALIK (12) SJ-1 #5 Franklin-EG (SJ) 277 LEWIS #5 FRA TINKER, TREVOR (11) SS-9 Bonita (SS) 419 SHARP, PAUL (9) CS-9 Clovis North (CS) 278 SHARP CN F 5:02 6.0 PEASE, BRADEN (9) SD-3 Poway (SD) 83 HANESSIAN, NICO (12) SS-2 #12 Simi Valley (SS)	GUTIERREZ, DALLAS (10) CC-2 #13 Gilroy (CC) 279 GUTIERREZ #13 GIL MANNION, ANDREW (10) CS-8 Clovis East (CS) 420 SHENG, DIEGO (12) SS-6 Peninsula (SS) 280 SMITH #4 BIR 14 4 3 0 MABRY, DENZEL (12) OS-1 #14 Castlemont (OS) 281 MABRY #14 CAS ROCHA, CESAR (12) SJ-6 Turlock (SJ) 421 RAMIREZ, ANTONIO (12) SD-4 Escondido (SD) 282 GIANAKOPILOS #3 CLO F 1:51 4.0 LYLES, MALACHI (11) SS-4 Mayfair (SS) 85 GIANAKOPILOS, TYLER (11) CS-2 #3 Clovis (CS)	RAWLS, CARSTEN (10) CC-1 #11 Saint Francis (CC) 283 MAEZ AGR F 5:16 6.0 MAEZ, ISAAC (11) CS-6 Arroyo Grande (CS) 422 HARKEY, JOSH (11) SS-3 Dana Hills (SS) 284 KILNER #6 GRA 8 1 2.0 LECKIE, LUAM (12) SJ-3 Vista del Lago (SJ) 86 KILNER, JACK (12) NC-1 #6 Granada (NC)	RODRIGUEZ, FELIPE (11) CS-4 #10 Clovis West (CS) 285 RODRIGUEZ #10 CW MCCREADIE, KAIMANA (12) SS-5 Irvine (SS) 423 GIANGREGORIO, DONIVAN (10) S Calaveras (SJ) 286 JOVERO #7 RBE 6 2 2.0 CELAYA, MATEO (12) NC-3 St. Patrick St. Vincent (NC) 87 JOVERO, JAVEN (10) SD-1 #7 Rancho Bernardo (SD)	HAAS, NATHAN (11) SS-1 #2 St. John Bosco (SS) 287 HAAS #2 SJB ELKO, AIDEN (12) SJ-5 Jesuit (SJ) 424 BALINTON, MARINO (12) SF-1 Galileo (SF) 288 MANZO #15 CHO F 5:33 4.0 LAMBERT, CADE (11) NS-2 West Valley (NS) 88 MANZO, LUCIANO (12) CS-5 #15 Chowchilla (CS)
---	--	--	--	--	--	---



REYES APT 6 5 1.0 RAMIREZ ESC F 3:37 3.0 GUTIERREZ, GIL F .49 3.0	RAWLS #11 SF F 2:49 3.0 HARKEY DH F .27 3.0 HARKEY DH 17 3 2.0	MCCREADIE IRV 8 3 1.0 GIANGREGO CLV 6 0 1.0 ANNIS #9 BAK 8 3 1.0	BORDON RID 795 ANNIS #9 BAK 8 3 1.0 RID 907 ANNIS #9 BAK 10 7 1.0	ELKO JES 6 3 1.0 BORDON RID 10 5 1.0 GARCIA #16 SEL DEF 3.0	LYLES MAY 796 GARCIA #16 SEL DEF 3.0 KILNER #6 GRA NC1 3 1 2.0	RODRIGUEZ PRM 6 3 1.0 LYLES MAY 6 0 1.0 MANZO #15 CHO 12 8 1.0	LECKIE VDL 797 MANZO #15 CHO 12 8 1.0 VDL 909 MANZO #15 CHO 5 4 1.0	GRIFFITHS PON F 1:30 3.0 LECKIE VDL 3 2 1.0 RODRIGUEZ, CW 6 1 1.0	CELAYA SPV 798 RODRIGUEZ, CW 6 1 1.0 LEWIS #5 FRA SJ1 8 3 2.0	TINKER BON 13 1 2.0 HANESSIAN SV F 2:00 3.0 HANESSIAN SV 4 0 1.0	LAMBERT WV-NS 799 MAEZ AGR 4 0 1.0 MANNION CE 911 SHENG PEN 5 3 1.0 MABRY #14 CAS F 1:41 3.0	MANNION CE 7 3 1.0 SHENG PEN 5 3 1.0 MABRY #14 CAS 6 2 1.0
---	--	---	--	--	--	---	--	--	---	---	---	---



JOVERO #7 RBE 1137 LEWIS #5 FRA 9 6 1.0	CURTIS #8 LCC 1136 GIANAKOPILOS CLO F 2:17 4.0
--	---

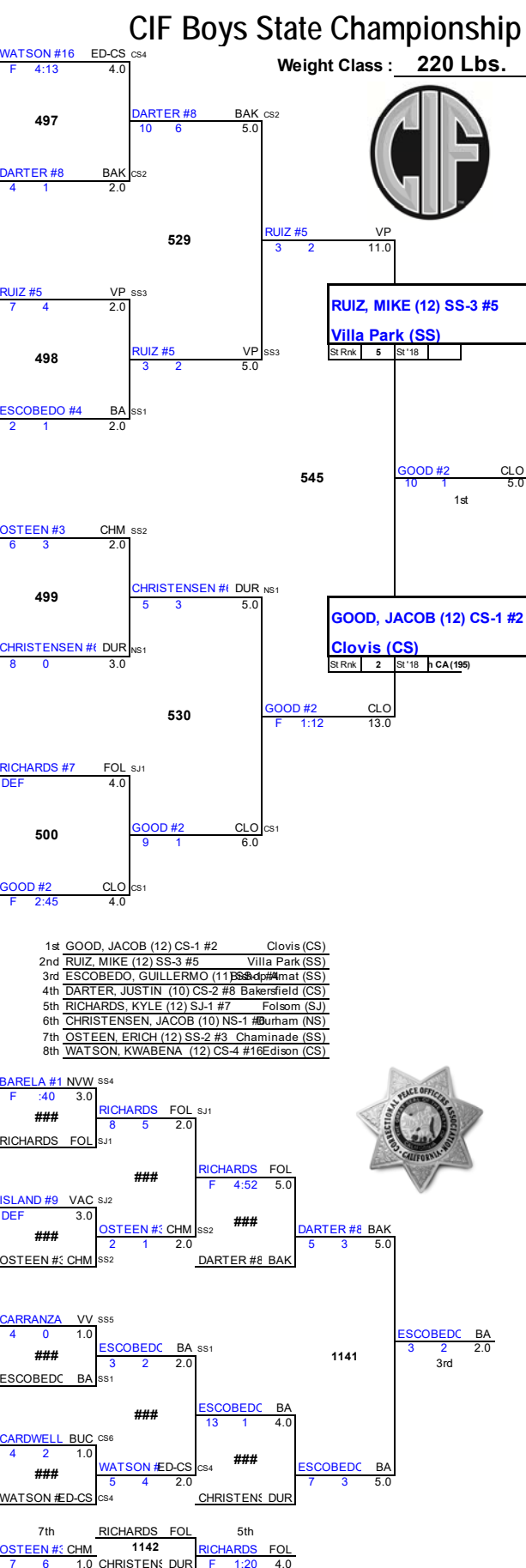


# CIF Boys State Championship

Weight Class : **220 Lbs.**



WATSON, KWABENA (12) CS-4 #16		Edison (CS) <b>305</b>		WATSON #16	ED-CS	4.0
SANchez, SAUL (12) SD-2		West Hills (SD)		F 3:46		6.0
TEDDER, TRAVIS (12) NS-2		Sutter (NS) <b>306</b>		Jaquez #1	BP	4.0
GASKIN, JACOB (12) SS-6		JAQUEZ #1		F :52		4.0
Walnut (SS) <b>97</b>		DARTER, JUSTIN (10) CS-2 #8		DARTER #8		BAK
JAQUEZ, VICTOR (12) CC-1 #1		Bakersfield (CS) <b>307</b>		DARTER #8	BAK	5.0
Bellamine Prep (CC)		MELENDEZ, LOGAN (12) SS-8		7 0		4.0
		Temecula Valley (SS)		DARTER #8		BAK
		CHATMAN, ISAAH (12) NC-1		4 1		2.0
		Pittsburg (NC) <b>308</b>		RUIZ #5		VP
		ISLAND #9		3 2		11.0
		Pittsburg (NC) <b>309</b>		RUIZ #5		VP
		CARDWELL, BRANDEN (12) CS-1		11 3		5.0
		Buchanan (CS)		RUIZ #5		VP
		MILLER, NATHAN (12) SD-3		7 4		2.0
		Vista (SD) <b>310</b>		RUIZ #5		VP
		BARELA #12		3 2		5.0
		Escobedo, Guillermo (11) SS-1 #4		ESCOBEDO #4		BA
		Bishop Amat (SS) <b>311</b>		11 6		6.0
		KHAMISY, ELIAS (12) NC-2		ESCOBEDO #4		BA
		Mission San Jose (NC)		2 1		2.0
		DAVALOS, ISAAC (12) SJ-6		MORALES #13		CW
		Lincoln-S (SJ) <b>312</b>		MORALES #13		CW
		MORALES #13		F 3:06		4.0
		FERNANDEZ, NATE (10) CC-3		MORALES #13		CW
		Monte Vista Christian (CC) <b>100</b>		MORALES #13		CW
		MORALES, MATEO (11) CS-3 #13		F :42		4.0
		Clovis West (CS)		OSTEEN, ERICH (12) SS-2 #3		CHM
		Chaminade (SS) <b>313</b>		OSTEEN #3		CHM
		POMILIA, FRANKIE (11) NC-3		F 1:20		6.0
		Ukiah (NC)		OSTEEN #3		CHM
		WATSON, TYLER (12) SD-1		6 3		2.0
		Mt Carmel (SD) <b>314</b>		MORA		PIT
		MORA		5 1		2.0
		MORA, JUAN (10) SJ-5		F 4:00		4.0
		Pitman (SJ) <b>101</b>		CHRISTENSEN, JACOB (10) NS-1 #6		DUR
		NUNLEY, BEAR (11) CS-5 #14		CHRISTENSEN #6		DUR
		Tulare Union (CS)		BOUTTE, AUREK (12) SS-7		7 0
				Palm Springs (SS)		4.0
				PAFFORD, JACK (12) CS-9		4.0
				Frontier (CS) <b>316</b>		MITTLESTEAD
				MITTLESTEAD		EXT
				F 1:27		4.0
				RICHARDS, KYLE (12) SJ-1 #7		FOL
				Folsom (SJ) <b>317</b>		RICHARDS #7
				RODRIGUEZ, EDWIN (12) OS-1		F :18
				Skyline (OS)		4.0
				AISPURO, GERARDO (12) CS-8		4.0
				McFarland (CS) <b>318</b>		RENTFRO #10
				RENTFRO #10		HIL
				11 8		2.0
				3 2		2.0
				CARRANZA, GABRIEL (11) SS-5 #15		VV
				Victor Valley (SS) <b>319</b>		CARRANZA #15
				WILSON, OUT (12) SF-1		DEF
				KIPP (SF)		6.0
				JOHNSON, CHAMPION (10) SD-4		GOOD #2
				The Bishops Schoo		GOOD #2
				F 1:18		4.0
				JOHNSEN, DESI (9) CC-2		CLO
				Gilroy (CC) <b>104</b>		GOOD #2
				F :40		4.0
				GOOD, JACOB (12) CS-1 #2		CLO
				Clovis (CS)		



GASKIN WAL		GASKIN WAL		WATSON MCA		MORALES CW	
POMILIA UKI		1 0 1.0		F 1:45 3.0		MORALES # CW	
PULIS HAN		809		F 2:10 3.0		BARELA #1 NVW	
BOUTTE PS		PS		F :40 3.0		RICHARDS FOL SJ1	
BOUTTE PS		F 1:54 3.0		2 1 1.0		RICHARDS FOL SJ1	
TURCIOS GH		810		F 1:29 3.0		RICHARDS FOL SJ1	
RODRIGUEZ SKY		TURCIOS GH		922		RICHARDS FOL SJ1	
RODRIGUEZ SKY		F 1:21 3.0		AISPURO MCF		RICHARDS FOL SJ1	
FERNANDEZ MVC		811		F :54 3.0		RICHARDS FOL SJ1	
FERNANDEZ MVC		FERNANDEZ MVC		F 2:02 3.0		RICHARDS FOL SJ1	
WILSON KIP		DEF		923		RICHARDS FOL SJ1	
WILSON KIP		F 1:51 3.0		986		RICHARDS FOL SJ1	
NUNLEY #14 TU		812		F 2:02 3.0		RICHARDS FOL SJ1	
NUNLEY #14 TU		SANchez WH		924		RICHARDS FOL SJ1	
SANchez WH		3 2 1.0		SANchez WH		RICHARDS FOL SJ1	
COBABA #11 OR		813		7 2 1.0		RICHARDS FOL SJ1	
COBABA #11 OR		CARRANZA VV		TF 3:10 2.5		RICHARDS FOL SJ1	
MELENDEZ TV		COBABA #1 OR		925		RICHARDS FOL SJ1	
MELENDEZ TV		F :52 3.0		CHATMAN PTS		RICHARDS FOL SJ1	
LEE ST		814		F :58 3.0		RICHARDS FOL SJ1	
LEE ST		RENTFRO # HIL		DEF		RICHARDS FOL SJ1	
CARDWELL BUC		CARDWELL BUC		926		RICHARDS FOL SJ1	
CARDWELL BUC		4 2 1.0		CARDWELL BUC		RICHARDS FOL SJ1	
JOHNSEN GIL		815		F 2:13 3.0		RICHARDS FOL SJ1	
JOHNSEN GIL		MITTLESTE EXT		7 0 1.0		RICHARDS FOL SJ1	
KHAMISY MSJ		KHAMISY MSJ		927		RICHARDS FOL SJ1	
KHAMISY MSJ		4 3 1.0		KHAMISY MSJ		RICHARDS FOL SJ1	
KHAMISY MSJ		10 2 2.0		KHAMISY MSJ		RICHARDS FOL SJ1	
DAVALOS LN-S		816		MORA PIT		RICHARDS FOL SJ1	
DAVALOS LN-S		3 2 1.0		928		RICHARDS FOL SJ1	
OSTEEN #3 CHM		7th		RICHARDS FOL		5th	
1143		OSTEEN #3 CHM		1142		RICHARDS FOL	
WATSON #ED-CS		7 6 1.0		CHRISTENSEN DUR		F 1:20 4.0	



# CIF Boys State Championship

Weight Class : **285 Lbs.**



CASTRO, LUIS (12) SD-2 #16 Olympian (SD) <b>321</b> CASTRO #16 F 4:33 6.0	OLY
PAINE, DALTON (12) SJ-6 St. Mary's (SJ) <b>441</b>	GIL
HOUSTON, TRAVONE (11) CS-5 Hanford (CS) <b>322</b> VILLARREAL #1 GIL 4 1 2.0	VILLARREAL #1
PEREZ, ETHAN (12) SS-7 Sultana (SS) <b>105</b> VILLARREAL #1 F :49 4.0	GIL
VILLARREAL, NICHOLAS (11) CC-1 #1 Gilroy (CC)	
CLAY, NATE (12) SS-2 #8 Santa Margarita (S) <b>323</b> CLAY #9 3 2 4.0	CLAY #9
HAYWARD, ERIC (11) SJ-3 Vacaville (SJ) <b>442</b>	CV
CAMPBELL, KADE (10) CS-9 Clovis (CS) <b>324</b> ARRIAGA #8 CV F 1:57 4.0	ARRIAGA #8
LIGHTNER, JACOB (12) CS-6 Kern Valley (CS) <b>106</b> ARRIAGA #8 F 1:43 4.0	CV
ARRIAGA, RANDY (12) SS-1 #8 Capistrano Valley (SS)	
FELICIANO, COHLE (12) CC-2 #5 Fremont (CC) <b>325</b> FELICIANO #5 F :26 6.0	FR-CC
COOK, JOHN (12) CS-4 Madera (CS) <b>443</b>	FR-CC
SMITH, JACOB (12) SS-6 Etiwanda (SS) <b>326</b> SMITH F 1:58 6.0	ETI
CHEVEZ, LEO (12) LA-1 Sylmar (LA) <b>107</b> WILEY, MICHAEL (12) CC-3 #12 Los Gatos (CC)	
SLATIC, TOMMY (12) CS-3 #13 Bullard (CS) <b>327</b> SLATIC #13 13 0 5.0	BUL
PERLA, RICKY (11) SS-5 Los Osos (SS) <b>444</b>	CLY
ALLEN, BEN (12) NS-1 Chico (NS) <b>328</b> SARTORIO CLY F 1:45 4.0	SARTORIO
SARTORIO, JACOB (12) NC-2 Clayton Valley (NC) <b>108</b> MARKY, LEVI (12) SJ-5 #4 Del Campo (SJ)	
VON GOEBEN, WILLIAM (12) SS-3 #14 Walnut (SS) <b>329</b> VON GOEBEN #14 F 1:07 6.0	WAL
ROJAS III, FRANCISCO (12) CS-7 Liberty Madera (CS) <b>445</b>	VDL
ROE, BEN (11) NC-1 De La Salle (NC) <b>330</b> RAMOS #3 VDL 6 4 2.0	RAMOS #3
SCHMIDT, BLAKE (12) SD-4 Monte Vista (SD) <b>109</b> RAMOS #3 F 2:51 4.0	VDL
RAMOS, JUSTIN (12) SJ-2 #3 Vista del Lago (SJ)	
SCHMIDTKE, JONAH (11) CS-2 #11 Clovis East (CS) <b>331</b> SCHMIDTKE #11 F 5:41 6.0	CE
TROMBLEY, KYLE (12) SS-9 Yorba Linda (SS) <b>446</b>	POW
CARRILLO, JOE (12) NS-2 Anderson (NS) <b>332</b> JOHNSON #6 POW F 1:33 4.0	JOHNSON #6
HERRERA, CHRISTIAN (12) CS-T Mission Oak (CS) <b>110</b> JOHNSON, ANDREW (11) SD-1 #6 Poway (SD)	
HILL, JOSIAH (11) CS-1 #7 Bakersfield (CS) <b>333</b> HILL #7 12 0 5.0	BAK
TOTEN, MICHAEL (12) SD-3 Holtville (SD) <b>447</b>	BAK
ALANIS, JOSEPH (11) SF-1 Washington (SF) <b>334</b> ERICKSON #10 CRT F :38 4.0	ERICKSON #10
COOK, LUCAS (11) SJ-4 Lincoln-L (SJ) <b>111</b> ERICKSON, ETHEN (12) SS-8 #10 Carter (SS)	
JEFFUS, MICHAEL (12) SJ-1 #2 Turlock (SJ) <b>335</b> JEFFUS #2 TUR F 1:44 6.0	TUR
WORD, WYATT (12) NC-3 Liberty (NC) <b>448</b>	TUR
LEE, REGAN (12) CS-8 Golden West (CS) <b>336</b> LEE 3 1 2.0	GW
LOPEZ, DANIEL (12) LA-2 Granada Hills (LA) <b>112</b> AVILA, JOSHUA (12) SS-4 #15 Rowland (SS)	

VILLARREAL #1 F 2:31 4.0	GIL CC1
501	VILLARREAL #1 3 0 5.0
ARRIAGA #8 2 1 2.0	CV SS1
531	VILLARREAL #1 11 0 12.0
FELICIANO #5 F 2:56 4.0	FR-CC CC2
502	FELICIANO #5 4 3 5.0
SARTORIO 4 1 2.0	CLY NC2
546	JEFFUS #2 3 2 4.0
RAMOS #3 9 4 2.0	VDL SJ2
503	RAMOS #3 3 1 5.0
JOHNSON #6 2 1 2.0	POW SD1
532	JEFFUS #2 5 2 11.0
HILL #7 F 1:11 4.0	BAK CS1
504	JEFFUS #2 4 3 5.0
JEFFUS #2 8 4 2.0	TUR SJ1

**VILLARREAL, NICHOLAS (1)**  
Gilroy (CC)  
St Rnk 1 St '18 1 CA (289)

**JEFFUS, MICHAEL (12) SJ-1**  
Turlock (SJ)  
St Rnk 2 St '18 1 CA (289)

- 1st JEFFUS, MICHAEL (12) SJ-1 #2 Turlock (SJ)
- 2nd VILLARREAL, NICHOLAS (11) CC-1 #6 Gilroy (CC)
- 3rd RAMOS, JUSTIN (12) SJ-2 #3 Vista del Lago (SJ)
- 4th MARKEY, LEVI (12) SJ-5 #4 Del Campo (SJ)
- 5th FELICIANO, COHLE (12) CC-2 #5 Fremont (CC)
- 6th VON GOEBEN, WILLIAM (12) SS-3 #14 Walnut (SS)
- 7th HILL, JOSIAH (11) CS-1 #7 Bakersfield (CS)
- 8th SARTORIO, JACOB (12) NC-2 Clayton Valley (NC)



PEREZ, ETHAN (12) SS-7 Sultana (SS) <b>105</b> VILLARREAL #1 F :49 4.0	SUL
ROJAS III, FRANCISCO (12) CS-7 Liberty Madera (CS) <b>445</b>	SUL
LIGHTNER, JACOB (12) CS-6 Kern Valley (CS) <b>106</b> ARRIAGA #8 F 1:43 4.0	KV
TROMBLEY, KYLE (12) SS-9 Yorba Linda (SS) <b>446</b>	YLI
WILEY, MICHAEL (12) CC-3 #12 Los Gatos (CC)	LG
TOTEN, MICHAEL (12) SD-3 Holtville (SD) <b>447</b>	HOL
MARKEY, LEVI (12) SJ-5 #4 Del Campo (SJ)	DC
WORD, WYATT (12) NC-3 Liberty (NC) <b>448</b>	LB-NC
SCHMIDT, BLAKE (12) SD-4 Monte Vista (SD) <b>109</b> RAMOS #3 F 2:51 4.0	MVS
PAINE, DALTON (12) SJ-6 St. Mary's (SJ) <b>441</b>	SMY
HERRERA, CHRISTIAN (12) CS-T Mission Oak (CS) <b>110</b> JOHNSON, ANDREW (11) SD-1 #6 Poway (SD)	MO
HAYWARD, ERIC (11) SJ-3 Vacaville (SJ) <b>442</b>	VAC
COOK, JOHN (12) CS-4 Madera (CS) <b>443</b>	LN-L
COOK, LUCAS (11) SJ-4 Lincoln-L (SJ) <b>111</b> ERICKSON, ETHEN (12) SS-8 #10 Carter (SS)	MAD
LOPEZ, DANIEL (12) LA-2 Granada Hills (LA) <b>112</b> AVILA, JOSHUA (12) SS-4 #15 Rowland (SS)	GH
PERLA, RICKY (11) SS-5 Los Osos (SS) <b>444</b>	LOS
ALLEN, BEN (12) NS-1 Chico (NS) <b>328</b> SARTORIO CLY F 1:45 4.0	LOS
SLATIC, TOMMY (12) CS-3 #13 Bullard (CS) <b>327</b> SLATIC #13 13 0 5.0	SMY
PERLA, RICKY (11) SS-5 Los Osos (SS) <b>444</b>	SMY
ALLEN, BEN (12) NS-1 Chico (NS) <b>328</b> SARTORIO CLY F 1:45 4.0	SMY
VON GOEBEN, WILLIAM (12) SS-3 #14 Walnut (SS) <b>329</b> VON GOEBEN #14 F 1:07 6.0	SMY
ROJAS III, FRANCISCO (12) CS-7 Liberty Madera (CS) <b>445</b>	SMY
ROE, BEN (11) NC-1 De La Salle (NC) <b>330</b> RAMOS #3 VDL 6 4 2.0	SMY
SCHMIDT, BLAKE (12) SD-4 Monte Vista (SD) <b>109</b> RAMOS #3 F 2:51 4.0	SMY
SCHMIDTKE, JONAH (11) CS-2 #11 Clovis East (CS) <b>331</b> SCHMIDTKE #11 F 5:41 6.0	SMY
TROMBLEY, KYLE (12) SS-9 Yorba Linda (SS) <b>446</b>	SMY
CARRILLO, JOE (12) NS-2 Anderson (NS) <b>332</b> JOHNSON #6 POW F 1:33 4.0	SMY
HILL, JOSIAH (11) CS-1 #7 Bakersfield (CS) <b>333</b> HILL #7 12 0 5.0	SMY
TOTEN, MICHAEL (12) SD-3 Holtville (SD) <b>447</b>	SMY
ALANIS, JOSEPH (11) SF-1 Washington (SF) <b>334</b> ERICKSON #10 CRT F :38 4.0	SMY
COOK, LUCAS (11) SJ-4 Lincoln-L (SJ) <b>111</b> ERICKSON, ETHEN (12) SS-8 #10 Carter (SS)	SMY
JEFFUS, MICHAEL (12) SJ-1 #2 Turlock (SJ) <b>335</b> JEFFUS #2 TUR F 1:44 6.0	SMY
WORD, WYATT (12) NC-3 Liberty (NC) <b>448</b>	SMY
LEE, REGAN (12) CS-8 Golden West (CS) <b>336</b> LEE 3 1 2.0	SMY
LOPEZ, DANIEL (12) LA-2 Granada Hills (LA) <b>112</b> AVILA, JOSHUA (12) SS-4 #15 Rowland (SS)	SMY
PERLA, RICKY (11) SS-5 Los Osos (SS) <b>444</b>	SMY
ALLEN, BEN (12) NS-1 Chico (NS) <b>328</b> SARTORIO CLY F 1:45 4.0	SMY
VON GOEBEN, WILLIAM (12) SS-3 #14 Walnut (SS) <b>329</b> VON GOEBEN #14 F 1:07 6.0	SMY
ROJAS III, FRANCISCO (12) CS-7 Liberty Madera (CS) <b>445</b>	SMY
ROE, BEN (11) NC-1 De La Salle (NC) <b>330</b> RAMOS #3 VDL 6 4 2.0	SMY
SCHMIDT, BLAKE (12) SD-4 Monte Vista (SD) <b>109</b> RAMOS #3 F 2:51 4.0	SMY
SCHMIDTKE, JONAH (11) CS-2 #11 Clovis East (CS) <b>331</b> SCHMIDTKE #11 F 5:41 6.0	SMY
TROMBLEY, KYLE (12) SS-9 Yorba Linda (SS) <b>446</b>	SMY
CARRILLO, JOE (12) NS-2 Anderson (NS) <b>332</b> JOHNSON #6 POW F 1:33 4.0	SMY
HILL, JOSIAH (11) CS-1 #7 Bakersfield (CS) <b>333</b> HILL #7 12 0 5.0	SMY
TOTEN, MICHAEL (12) SD-3 Holtville (SD) <b>447</b>	SMY
ALANIS, JOSEPH (11) SF-1 Washington (SF) <b>334</b> ERICKSON #10 CRT F :38 4.0	SMY
COOK, LUCAS (11) SJ-4 Lincoln-L (SJ) <b>111</b> ERICKSON, ETHEN (12) SS-8 #10 Carter (SS)	SMY
JEFFUS, MICHAEL (12) SJ-1 #2 Turlock (SJ) <b>335</b> JEFFUS #2 TUR F 1:44 6.0	SMY
WORD, WYATT (12) NC-3 Liberty (NC) <b>448</b>	SMY
LEE, REGAN (12) CS-8 Golden West (CS) <b>336</b> LEE 3 1 2.0	SMY
LOPEZ, DANIEL (12) LA-2 Granada Hills (LA) <b>112</b> AVILA, JOSHUA (12) SS-4 #15 Rowland (SS)	SMY
PERLA, RICKY (11) SS-5 Los Osos (SS) <b>444</b>	SMY
ALLEN, BEN (12) NS-1 Chico (NS) <b>328</b> SARTORIO CLY F 1:45 4.0	SMY
VON GOEBEN, WILLIAM (12) SS-3 #14 Walnut (SS) <b>329</b> VON GOEBEN #14 F 1:07 6.0	SMY
ROJAS III, FRANCISCO (12) CS-7 Liberty Madera (CS) <b>445</b>	SMY
ROE, BEN (11) NC-1 De La Salle (NC) <b>330</b> RAMOS #3 VDL 6 4 2.0	SMY
SCHMIDT, BLAKE (12) SD-4 Monte Vista (SD) <b>109</b> RAMOS #3 F 2:51 4.0	SMY
SCHMIDTKE, JONAH (11) CS-2 #11 Clovis East (CS) <b>331</b> SCHMIDTKE #11 F 5:41 6.0	SMY
TROMBLEY, KYLE (12) SS-9 Yorba Linda (SS) <b>446</b>	SMY
CARRILLO, JOE (12) NS-2 Anderson (NS) <b>332</b> JOHNSON #6 POW F 1:33 4.0	SMY
HILL, JOSIAH (11) CS-1 #7 Bakersfield (CS) <b>333</b> HILL #7 12 0 5.0	SMY
TOTEN, MICHAEL (12) SD-3 Holtville (SD) <b>447</b>	SMY
ALANIS, JOSEPH (11) SF-1 Washington (SF) <b>334</b> ERICKSON #10 CRT F :38 4.0	SMY
COOK, LUCAS (11) SJ-4 Lincoln-L (SJ) <b>111</b> ERICKSON, ETHEN (12) SS-8 #10 Carter (SS)	SMY
JEFFUS, MICHAEL (12) SJ-1 #2 Turlock (SJ) <b>335</b> JEFFUS #2 TUR F 1:44 6.0	SMY
WORD, WYATT (12) NC-3 Liberty (NC) <b>448</b>	SMY
LEE, REGAN (12) CS-8 Golden West (CS) <b>336</b> LEE 3 1 2.0	SMY
LOPEZ, DANIEL (12) LA-2 Granada Hills (LA) <b>112</b> AVILA, JOSHUA (12) SS-4 #15 Rowland (SS)	SMY
PERLA, RICKY (11) SS-5 Los Osos (SS) <b>444</b>	SMY
ALLEN, BEN (12) NS-1 Chico (NS) <b>328</b> SARTORIO CLY F 1:45 4.0	SMY
VON GOEBEN, WILLIAM (12) SS-3 #14 Walnut (SS) <b>329</b> VON GOEBEN #14 F 1:07 6.0	SMY
ROJAS III, FRANCISCO (12) CS-7 Liberty Madera (CS) <b>445</b>	SMY
ROE, BEN (11) NC-1 De La Salle (NC) <b>330</b> RAMOS #3 VDL 6 4 2.0	SMY
SCHMIDT, BLAKE (12) SD-4 Monte Vista (SD) <b>109</b> RAMOS #3 F 2:51 4.0	SMY
SCHMIDTKE, JONAH (11) CS-2 #11 Clovis East (CS) <b>331</b> SCHMIDTKE #11 F 5:41 6.0	SMY
TROMBLEY, KYLE (12) SS-9 Yorba Linda (SS) <b>446</b>	SMY
CARRILLO, JOE (12) NS-2 Anderson (NS) <b>332</b> JOHNSON #6 POW F 1:33 4.0	SMY
HILL, JOSIAH (11) CS-1 #7 Bakersfield (CS) <b>333</b> HILL #7 12 0 5.0	SMY
TOTEN, MICHAEL (12) SD-3 Holtville (SD) <b>447</b>	SMY
ALANIS, JOSEPH (11) SF-1 Washington (SF) <b>334</b> ERICKSON #10 CRT F :38 4.0	SMY
COOK, LUCAS (11) SJ-4 Lincoln-L (SJ) <b>111</b> ERICKSON, ETHEN (12) SS-8 #10 Carter (SS)	SMY
JEFFUS, MICHAEL (12) SJ-1 #2 Turlock (SJ) <b>335</b> JEFFUS #2 TUR F 1:44 6.0	SMY
WORD, WYATT (12) NC-3 Liberty (NC) <b>448</b>	SMY
LEE, REGAN (12) CS-8 Golden West (CS) <b>336</b> LEE 3 1 2.0	SMY
LOPEZ, DANIEL (12) LA-2 Granada Hills (LA) <b>112</b> AVILA, JOSHUA (12) SS-4 #15 Rowland (SS)	SMY
PERLA, RICKY (11) SS-5 Los Osos (SS) <b>444</b>	SMY
ALLEN, BEN (12) NS-1 Chico (NS) <b>328</b> SARTORIO CLY F 1:45 4.0	SMY
VON GOEBEN, WILLIAM (12) SS-3 #14 Walnut (SS) <b>329</b> VON GOEBEN #14 F 1:07 6.0	SMY
ROJAS III, FRANCISCO (12) CS-7 Liberty Madera (CS) <b>445</b>	SMY
ROE, BEN (11) NC-1 De La Salle (NC) <b>330</b> RAMOS #3 VDL 6 4 2.0	SMY
SCHMIDT, BLAKE (12) SD-4 Monte Vista (SD) <b>109</b> RAMOS #3 F 2:51 4.0	SMY
SCHMIDTKE, JONAH (11) CS-2 #11 Clovis East (CS) <b>331</b> SCHMIDTKE #11 F 5:41 6.0	SMY
TROMBLEY, KYLE (12) SS-9 Yorba Linda (SS) <b>446</b>	SMY
CARRILLO, JOE (12) NS-2 Anderson (NS) <b>332</b> JOHNSON #6 POW F 1:33 4.0	SMY
HILL, JOSIAH (11) CS-1 #7 Bakersfield (CS) <b>333</b> HILL #7 12 0 5.0	SMY
TOTEN, MICHAEL (12) SD-3 Holtville (SD) <b>447</b>	SMY
ALANIS, JOSEPH (11) SF-1 Washington (SF) <b>334</b> ERICKSON #10 CRT F :38 4.0	SMY
COOK, LUCAS (11) SJ-4 Lincoln-L (SJ) <b>111</b> ERICKSON, ETHEN (12) SS-8 #10 Carter (SS)	SMY
JEFFUS, MICHAEL (12) SJ-1 #2 Turlock (SJ) <b>335</b> JEFFUS #2 TUR F 1:44 6.0	SMY
WORD, WYATT (12) NC-3 Liberty (NC) <b>448</b>	SMY
LEE, REGAN (12) CS-8 Golden West (CS) <b>336</b> LEE 3 1 2.0	SMY
LOPEZ, DANIEL (12) LA-2 Granada Hills (LA) <b>112</b> AVILA, JOSHUA (12) SS-4 #15 Rowland (SS)	SMY
PERLA, RICKY (11) SS-5 Los Osos (SS) <b>444</b>	SMY
ALLEN, BEN (12) NS-1 Chico (NS) <b>328</b> SARTORIO CLY F 1:45 4.0	SMY
VON GOEBEN, WILLIAM (12) SS-3 #14 Walnut (SS) <b>329</b> VON GOEBEN #14 F 1:07 6.0	SMY
ROJAS III, FRANCISCO (12) CS-7 Liberty Madera (CS) <b>445</b>	SMY
ROE, BEN (11) NC-1 De La Salle (NC) <b>330</b> RAMOS #3 VDL 6 4 2.0	SMY
SCHMIDT, BLAKE (12) SD-4 Monte Vista (SD) <b>109</b> RAMOS #3 F 2:51 4.0	SMY
SCHMIDTKE, JONAH (11) CS-2 #11 Clovis East (CS) <b>331</b> SCHMIDTKE #11 F 5:41 6.0	SMY
TROMBLEY, KYLE (12) SS-9 Yorba Linda (SS) <b>446</b>	SMY
CARRILLO, JOE (12) NS-2 Anderson (NS) <b>332</b> JOHNSON #6 POW F 1:33 4.0	SMY
HILL, JOSIAH (11) CS-1 #7 Bakersfield (CS) <b>333</b> HILL #7 12 0 5.0	SMY
TOTEN, MICHAEL (12) SD-3 Holtville (SD) <b>447</b>	SMY
ALANIS, JOSEPH (11) SF-1 Washington (SF) <b>334</b> ERICKSON #10 CRT F :38 4.0	SMY
COOK, LUCAS (11) SJ-4 Lincoln-L (SJ) <b>111</b> ERICKSON, ETHEN (12) SS-8 #10 Carter (SS)	SMY
JEFFUS, MICHAEL (12) SJ-1 #2 Turlock (SJ) <b>335</b> JEFFUS #2 TUR F 1:44 6.0	SMY
WORD, WYATT (12) NC-3 Liberty (NC) <b>448</b>	SMY
LEE, REGAN (12) CS-8 Golden West (CS) <b>336</b> LEE 3 1 2.0	SMY
LOPEZ, DANIEL (12) LA-2 Granada Hills (LA) <b>112</b> AVILA, JOSHUA (12) SS-4 #15 Rowland (SS)	SMY
PERLA, RICKY (11) SS-5 Los Osos (SS) <b>444</b>	SMY
ALLEN, BEN (12) NS-1 Chico (NS) <b>328</b> SARTORIO CLY F 1:45 4.0	SMY
VON GOEBEN, WILLIAM (12) SS-3 #14 Walnut (SS) <b>329</b> VON GOEBEN #14 F 1:07 6.0	SMY
ROJAS III, FRANCISCO (12) CS-7 Liberty Madera (CS) <b>445</b>	SMY
ROE, BEN (11) NC-1 De La Salle (NC) <b>330</b> RAMOS #3 VDL 6 4 2.0	SMY
SCHMIDT, BLAKE (12) SD-4 Monte Vista (SD) <b>109</b> RAMOS #3 F 2:51 4.0	SMY
SCHMIDTKE, JONAH (11) CS-2 #11 Clovis East (CS) <b>331</b> SCHMIDTKE #11 F 5:41 6.0	SMY
TROMBLEY, KYLE (12) SS-9 Yorba Linda (SS) <b>446</b>	SMY
CARRILLO, JOE (12) NS-2 Anderson (NS) <b>332</b> JOHNSON #6 POW F 1:33 4.0	SMY
HILL, JOSIAH (11) CS-1 #7 Bakersfield (CS) <b>333</b> HILL #7 12 0 5.0	SMY
TOTEN, MICHAEL (12) SD-3 Holtville (SD) <b>447</b>	SMY
ALANIS, JOSEPH (11) SF-1 Washington (SF) <b>334</b> ERICKSON #10 CRT F :38 4.0	SMY
COOK, LUCAS (11) SJ-4 Lincoln-L (SJ) <b>111</b> ERICKSON, ETHEN (12) SS-8 #10 Carter (SS)	SMY
JEFFUS, MICHAEL (12) SJ-1 #2 Turlock (SJ) <b>335</b> JEFFUS #2 TUR F 1:44 6.0	SMY
WORD, WYATT (12) NC-3 Liberty (NC) <b>448</b>	SMY
LEE, REGAN (12) CS-8 Golden West (CS) <b>336</b> LEE 3 1 2.0	SMY
LOPEZ, DANIEL (12) LA-2 Granada Hills (LA) <b>112</b> AVILA, JOSHUA (12) SS-4 #15 Rowland (SS)	SMY
PERLA, RICKY (11) SS-5 Los Osos (SS) <b>444</b>	SM